

Bullet Series 2.0 - UV, White Light & Daylight

The Bullet™ Series 2.0, are focusable and compact LED luminaires that address the needs of lighting designers and specifiers who require small, lightweight spotlights. These refined luminaire offers a high output with tool-free versatility to allow for precise control in a range of architectural and entertainment applications.

The full featured Bullets produce a powerful output housed in a discreet, compact form factor, which is important for architectural and retail environments as well as themed environments. These focusable luminaires use a high output, long life 3,000K, 5,000K, or UV LED array for wash and spot lighting applications. The Bullets dim smoothly over the whole output range and draws only 20-watts per head.

A key feature of this spot luminaire is a uniquely designed zoom system – from a narrow 12° spot to an extra wide 54° flood for the White and Daylight Bullet and 8°-54° for the UV Bullet. The easily adjustable focus mechanism requires no change of lens, no tools, and is lockable for permanent installations. The Bullet allows designers the control and flexibility to highlight with pinpoint accuracy.

The 3' cable w/ 4-pin XLR connector on the Bullet head allows for quick disconnection of the luminaire from the power supply for remote mounting. Additional 4-Pin XLR extension cables can be used to remote the head from the power supply up to 50' maximum. The Bullet Head is rated for indoor/outdoor use.

The luminaire is powered by an electronic multi-voltage power supply with DMX-512A/ RDM interface with feed-thru capabilities via isolated 5-pin in male and female XLR connections. DMX addressing and pre-programmed onboard options including strobe, fade, and manual dimming are assigned via three onboard rotary dials. The DMX/Power Supply housing can be remotely mounted from the Bullet unit to accommodate any installation environment. Available power supplies can be used with any combination of White Light, Daylight, or UV Bullet heads.

Indoor power supplies include a single and triple head model (Trio) with flush mount 4-pin XLR head connections, flush 5-pin male, and female 5-pin XLR for data feed thru and 6' power cable w/ molded Edison connector. Indoor power supplies are ETL Listed. Single head indoor power supply is ETL Listed and CE Marked.

Exterior rated power supplies are a single, triple, and six way model with 4-pin XLR head connections via a 6" tail, male and female 5-pin XLR tails for data feed thru and 6' bare lead power cable for hard wire installation. Exterior power supplies are ETL Listed and CE Marked.



Features

High-Power 20-watt 3,000K LED emitter - White Light Bullet

High-Power 20-watt 5,000K LED emitter - Daylight Bullet

High-Power 20-watt 365nm LED emitter - UV Bullet

Adjustable focal range from narrow spot to wide flood

Proprietary focusing lens

LED lifetime rated at 50,000 hours for White Light & Daylight Bullets

LED lifetime rated at 40,000 hours for UV Bullet

3' head cable w/IP-rated 4-pin XLR connector for quick connection to power supply

Compatible with DMX-512A - requires one DMX channel per fixture

Isolated 5-pin XLR DMX-In & DMX-Thru

Fully addressable via three rotary dials

Stand-alone functions includes manual dimming, strobe, fade and full on

Utilizes electronic multi-voltage driver 100-240VAC 50/60hz

Bullet head can be removed from power supply up to 50' via 4-pin extension cable

Multiple power supplies available for indoor or outdoor use

Bullet Series 2.0 heads are rated for indoor/outdoor use

Patent Pending



Bullet Series 2.0 - UV, White Light & Daylight

A range of accessories are available for the Bullet Series including an accessory holder/color frame, barndoor, snoot, and linear spread diffusion. A projection accessory is also available for attachment to the front barrel that allows for projection of steel, glass, and printed gobo images and textures. A range of mounting options are available including a variety of clamps, as well as a table/floor base.

Photometry - White Light Bullet

Pending

Photometry - UV Bullet

NARROW SPOT FOCUS

FIELD ANGLE - 13.3 DEGREES

BEAM ANGLE - 7.4 DEGREES

DISTANCE	5	10	15	20	25
CENTER PEAK INTENSITY (UW/CM2)	1709	427	190	107	68
BEAM DIA. (FT) @ 50% OF CENTER	0.7"	1.3"	2"	2.6"	3.3"
BEAM DIA. (FT) @ 10% OF CENTER	1.2"	2.3"	3.5"	4.7"	5.9"

MAXIMUM FLOOD FOCUS

FIELD ANGLE - 69.2 DEGREES

BEAM ANGLE - 55.4 DEGREES

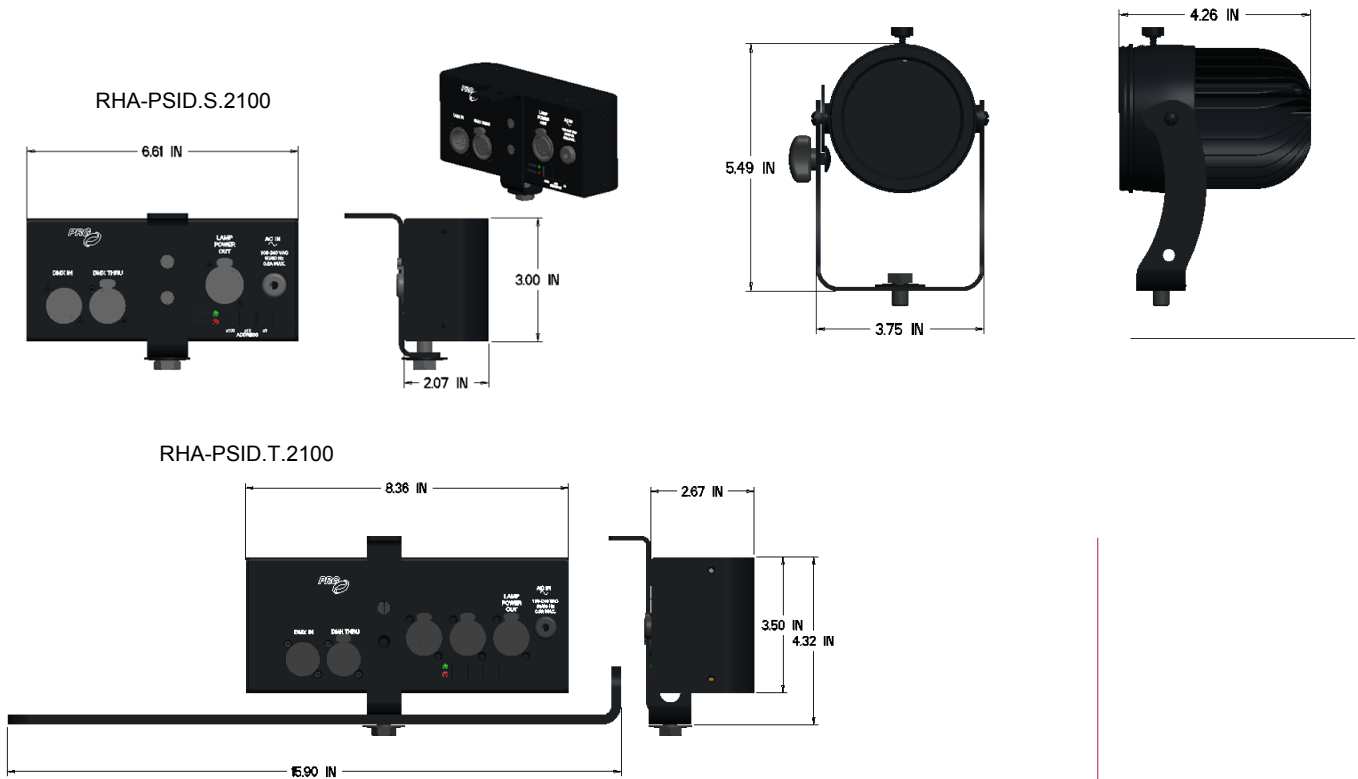
DISTANCE	5	10	15	20	25
CENTER PEAK INTENSITY (UW/CM2)	33	8	4	2	1
BEAM DIA. (FT) @ 50% OF CENTER	5.2'	10.5'	15.7'	21'	26.2'
BEAM DIA. (FT) @ 10% OF CENTER	6.9'	13.8'	20.7'	27.6'	34.5'

Photometry - Daylight Bullet

Pending

Bullet Series 2.0 - UV, White Light & Daylight

Dimensions



Bullet Part Numbers

Bullet Series 2.0 Single Head Fixture w/o Power Supply

RHA-UVB.H.2110	UV BULLET 365nm, Black, Single Head w/o DMX Power Supply*
RHA-WLB.H.2130	White Light Bullet 3,000K, Black Single Head w/o DMX Power Supply*
RHA-DLB.H.2150	Daylight Bullet 5,000K, Black, Single Head w/o DMX Power Supply*

***NOTE: Bullet Series Power Supply Sold Separately from Fixture Head**

Bullet Series 2.0 Power Supplies

RHA-PSID.S.2100	Power Supply, Indoor, Single Head, Black. ETL Listed and CE Marked
RHA-PSID.T.2100	Power Supply, Indoor, Triple Head, Black. ETL Listed
RHA-PSOD.1.2101	Power Supply, Outdoor, Single Head, Black. ETL Listed and CE Marked
RHA-PSOD.3.2102	Power Supply, Outdoor, Three Head, Black. ETL Listed and CE Marked
RHA-PSOD.6.2103	Power Supply, Outdoor, Six Head, Black. ETL Listed and CE Marked

Bullet Series 2.0 Outdoor Rated 4-Pin XLR Extension Cables

RHA-4XLR.10FT	Cable Assy, 10' Outdoor Rated 4-Pin XLR Extension Cable for Bullets Series
RHA-4XLR.25FT	Cable Assy, 25' Outdoor Rated 4-Pin XLR Extension Cable for Bullets Series
RHA-4XLR.50FT	Cable Assy, 50' Outdoor Rated 4-Pin XLR Extension Cable for Bullets Series

Bullet Series 2.0 Accessories

RHA-BULLET.CFA	Bullet Series Front Accessory Holder and Color Frame, Black
RHA-BULLET.BD	Bullet Series Four-Leaf Barndoor, Black
	NOTE: Barndoor Requires Part Number RHA-BULLET.CFA
RHA-BULLET.SN	Bullet Series Snoot Accessory, Black
RHA-BULLET.LSL	Linear Spread Lens - NOTE: Requires Part Number RHA-BULLET.CFA
RHA-BULLET.BASE	Bullet Floor Mounting Base, Black
RHA-TLS.MINI.CLAMP	Mini-Clamp w/3/8" Bolt for use with 3/8"-1-1/2" Pipe, Black
RHA-TLS.MEGA.CLAMP	C-Clamp with 1/2" Bolt for use with 1"-2" pipe, Black
RHA-BULLET.PROJ.TH.BK	25°-50° Gobo Projection Accessory - NOTE: No Shutters

WWW.PRGRHA.COM

WHITE LIGHT BULLET, UV BULLET, AND DAYLIGHT BULLET ARE REGISTERED TRADEMARKS OF PRODUCTION RESOURCE GROUP, LLC.

©2015 PRODUCTION RESOURCE GROUP, LLC. ALL RIGHTS RESERVED. SPECIFICATIONS ARE SUBJECT TO CHANGE WITHOUT NOTICE.

VERSION: OCTOBER 2015