

Breakout in a Box™



A successful meeting requires attention to detail.

Multiple video inputs. Mics. LCD projectors. Equalizers. Speakers. Above all, your time. Time is money. And you don't have the luxury of time to research, purchase and assemble all the components required to present today's cutting edge multi-media presentations.

Breakout in a Box (BOB) from PRG offers professional-grade audio and video corporate meeting support in one compact, cost-efficient package. This streamlined package speeds up installs and dismantles quickly, reducing labor costs on-site.

Whether you have 10 or up to 200 attendees, BOB provides speaker and A/V presentation support in one simple, easy to set up box. Each BOB contains:

Audio components:

- Yamaha MG 16/4 mixer
- DBX Drive Rack PA digital equalizer
- L'Acoustic speakers
- Shure® microphones
- Denon CD player
- Mic stands and cable (power and signal)

Video components:

- Christie LX450 LCD projector, 4500 lumens
- Analog Way Quatro D4 input scaler
- Fast fold screen (up to 7.5 x 10)
- Power and data cable



Features

- Easy to set up audio and video support.
- Suitable for corporate events or meetings of up to 200 people.
- Facilitates quick installation and breakdown to reduce labor costs.
- Includes high quality audio/video components.
- Easily transportable.



One Source. Unlimited Resources.™

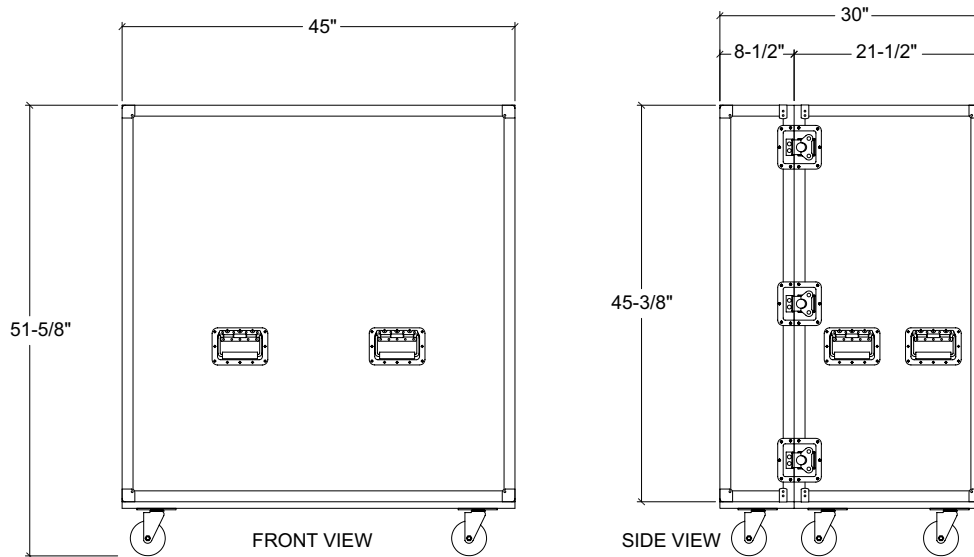
Breakout in a Box Specifications

The PRG Breakout in a Box (BOB) case is constructed of sturdy plywood and is covered with durable laminate. The case includes five casters, eight outer handles and three latches, plus a hinged panel for easy access to interior contents.

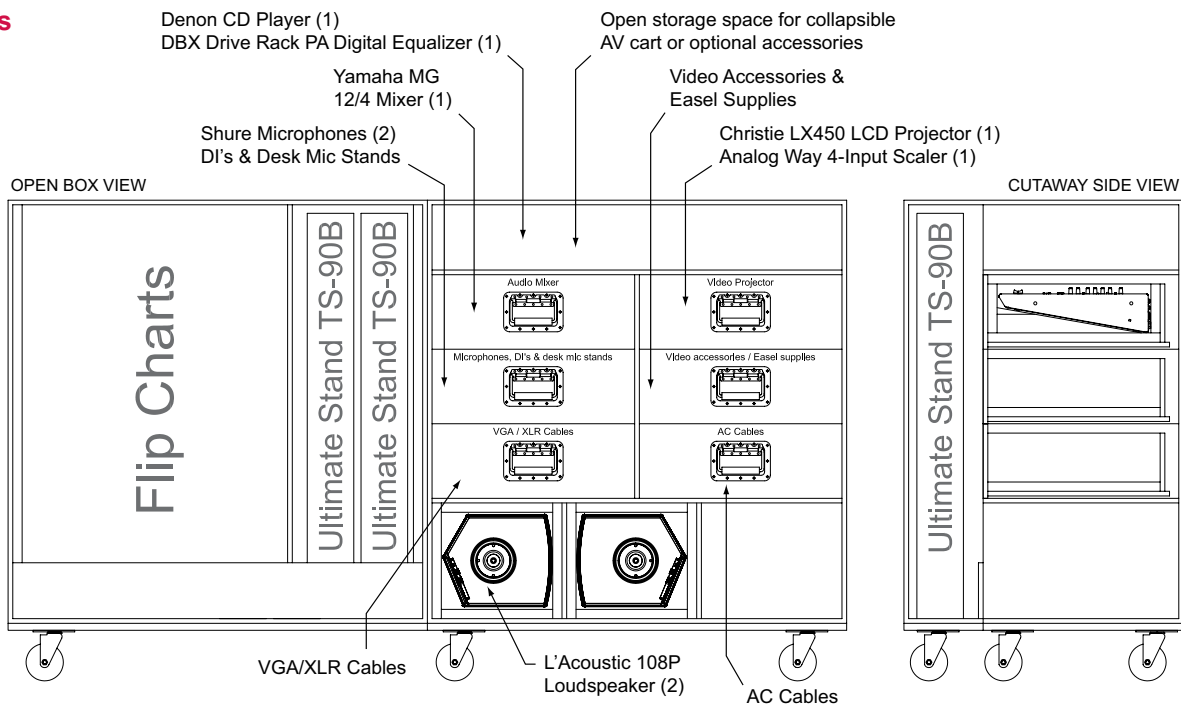
Standard Audio Contents: (1) Yamaha MG 16/4 mixer, (1) DBX Drive Rack PA digital equalizer, (2) L'Acoustic 108P Loudspeakers, (2) Shure microphones, (1) Denon CD player, microphone stands and cable, power and data cable.

Standard Video Contents: (1) Christie LX450 LCD projector, (1) Analog Way Quatro D4 input scaler, (1) Fast fold screen (up to 7.5 x 10), power and data cable.

Dimensions



Contents



Production Resource Group

Los Angeles 818-252-2600 | Las Vegas 702-942-4774 | Chicago 847-227-5171 | Detroit 248-526-5290
 Toronto 905-270-9050 | Nashville 615-834-3190 | Orlando 407-855-8060 | New York 914-662-3540



www.prg.com