

# AutoPar™ Wash Luminaire



## DESCRIPTION

SOURCE:	Philips MSR700 1CT 700W arc lamp Color Temp: 5600°K CRI: 85
BALLAST:	Integrated electronic ballast with universal input and power factor correction.
REFLECTOR:	Modified parabolic, multifaceted reflector finished with a metal cold mirror dichroic coating.
UV FILTER:	Internal coated filter. Rejects greater than 99% of ultra-violet radiation.
LENSES:	Four heat resistant, molded borosilicate glass lenses included: Very Narrow Spot, Narrow Spot, 8-Row Lenticular, and 12-Row Lenticular.
OUTPUT:	30,000 lumens
COLOR:	Gel frame holder allows tool-free replacement of standard color gels.
TEMP RANGE:	-20° to 120° F (-29° to 49° C)
COOLING:	Ballast: forced air Head and Yoke: free convection
CONTROL:	Control by DMX512. Uses nine DMX512 channels.
POSITIONING:	Can be mounted and operated in any orientation.
SPACING:	Hangs on 20 inch (50.8 cm) centers.
WEIGHT:	44 lbs (19.96 kg)
POWER REQ.	120V/8A, 208V/4A

## PROGRAMMABLE FUNCTIONS

LAMP CONTROL:	Remote start and douse from console.
ROTATING LENS:	Programmable rotating front lens assembly with 200° range and 5 second full travel.
PAN AND TILT:	Smooth, timed continuous motion by way of three-phase stepper motors.
RANGE:	Pan - 360° and Tilt - 240° @ 60° per second.
ACCURACY:	0.3° resolution.

## Features

The AutoPar™ wash luminaire from PRG Lighting is a compact, lightweight fixture which incorporates PAR 56 illumination with the dynamic features of an automated luminaire.

The AutoPar luminaire features a powerful 700 watt arc lamp, an integrated ballast with power factor correction and a moving yoke. Four interchangeable front lenses provide a wide range of beam options, while a standard gel frame allows for color customization. A programmable rotating front lens assembly provides smooth rotation of the front lens within a 200° range. The unit contains a cold mirror dichroic coated reflector and a UV filter, which produce a cool, safe beam of light.

The AutoPar wash luminaire can be mounted in any orientation and easily controlled by any DMX512-compatible console. Two Mega-Claw truss hooks are included for quick, safe installation.



## AutoPar™ Wash Luminaire Specifications

The unit shall be an integrally designed, remote-controlled, motorized wash luminaire. The head, yoke and enclosure housings shall be constructed of aluminum alloy and steel for lightweight strength and durability.

A single AC input cable along with two, five-pin DMX512 compatible connectors (in and thru) shall be provided. The unit shall be controlled by a wide variety of DMX512 consoles.

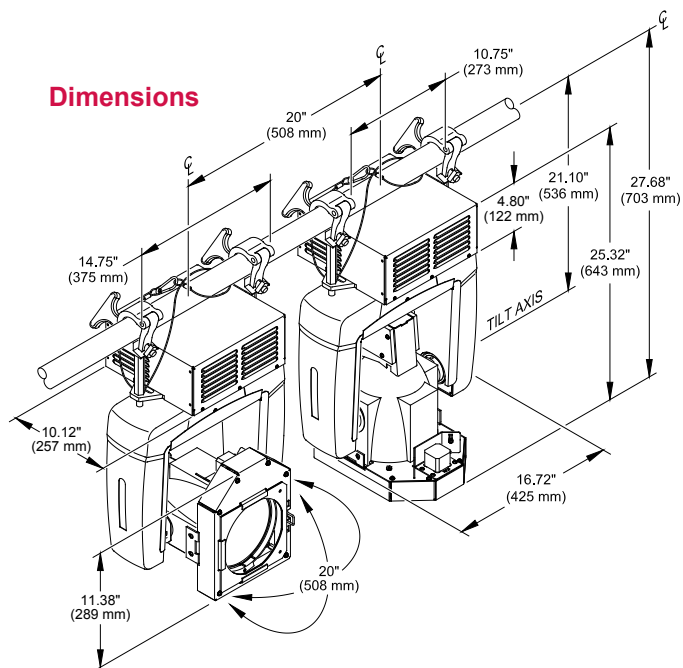
Each unit shall be equipped with an on-board processor providing diagnostic and self-calibration functions as well as internal test routines and software update capabilities.

The unit shall contain an electronic ignitor. A metal halide lamp ballast shall be used to power a 700W lamp. The ballast shall be an all-electronic, pulse start mechanism, which maintains constant power to the lamp for maximum efficiency and consistent light output and color. The ballast shall operate at a power factor greater than 0.98, and shall be cooled by forced air from a virtually silent fan.

The unit shall contain two independent, three-phase stepper motors, which provide movement of the head through 360° in the horizontal plane (pan) and 240° in the vertical plane (tilt). The pan and tilt mechanisms shall be belt-driven, providing positional resolution and repeatability of 0.3° on either axis.

The unit shall contain one standard, top-mounted gel frame holder. Four easily removable heat resistant, glass lenses shall be included: Very Narrow Spot, Narrow Spot, 8-Row Lenticular, and 12-Row Lenticular. An internal coated UV filter shall reject greater than 99% of ultra-violet radiation.

A safety cable shall be provided. Total weight shall not exceed 44 lbs (19.96 kg). The unit shall be UL and C-UL listed, CE-marked and PSE marked for Japan. Exterior finish shall be black epoxy coat.



## Accessories

55.6840.0001	Mega-Claw Truss Hook (Round and Square)
55.6841.0001	Mega-Claw Truss Hook (2" Round Tube)
71.2566.0700.0	MSR700 Arc Lamp

## Photometric Data

AutoPar Wash Luminaire - MSR700 Lamp					
LENS	CANDELA (cd) **	BEAM ANGLE (degrees)	BEAM (Tn) *	FIELD ANGLE (degrees)	FIELD (Tn) *
VNSP	1,625,000	5°	0.087	14°	0.246
NSP	1,155,000	7.5°	0.131	15°	0.263
8-Row Horiz	360,000	18°	0.317	31°	0.555
8-Row Vert	360,000	12°	0.210	23°	0.407
12-Row Horiz	140,000	31°	0.555	50°	0.933
12-Row Vert	140,000	21°	0.371	33°	0.592

\* Multiply throw distance by Tn to determine coverage.

\*\* To calculate center beam illuminance (I) at a specific distance (D):  $I = \frac{cd}{D^2}$   
If (D) is in feet, (I) is in foot candles / If (D) is in meters, (I) is in lux

## Production Resource Group

Chicago (Des Plaines) 847-227-5171 | Chicago (Palatine) 847-705-3885 | Dallas 214-630-1963  
 Detroit 248-526-5290 | Las Vegas 702-942-4774 | London 44-208-575-6666 | Los Angeles 818-252-2600  
 Mount Vernon 914-662-3540 | Nashville 615-834-3190 | New Windsor 845-567-5700 | New York 212-589-5400  
 North Bergen 201-758-4000 | Orlando 407-855-8060 | Tokyo 81-3-5665-3377 | Toronto 905-270-9050

AutoPar™ is a trademark of Production Resource Group, LLC.

©2007 Production Resource Group, LLC. All Rights Reserved. Specifications are subject to change without notice. Version: October 2007



www.prg.com