

- ◆ ATLAS-X series is a high-performance and easy-to-install LED display product for outdoor rental applications. This series has a rear folding frame and a quick installation system, with strong wind resistance and operational stability. It is an ideal display solution for live events such as concerts, sports events, and carnivals. Each of the cabinets are equipped with a hanging bracket and position pins to facilitate the quick hanging installation of the screen. Moreover, it supports front and rear maintenance, as its independent power and data units can be disassembled and replaced handily.



IP65



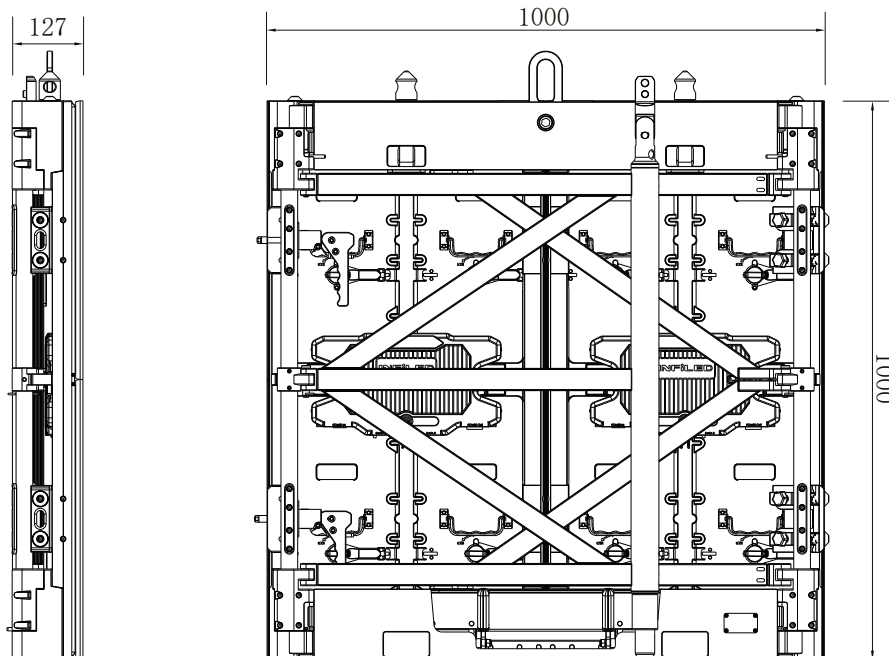
High
Brightness



Fast
Installation



Easy
Maintenance



Model Number

Pixel Pitch
Physical Density
LED Arrangement
Module Dimensions
Module Resolution
Cabinet Dimensions
Cabinet Resolution
Cabinet Weight
Brightness
Max Power Consumption
Avg Power Consumption
Viewing Angle (horizontal/vertical)
Operating Power Source
Operating Temperature
Refresh Rate
IP Rating
Signal Input Source
Verification

IL-RSS-ORAX3.91

3.91mm
65,536pixels/m ²
3 IN 1 SMD
250x500mm(9.84x19.69in)
64x128pixels
1000x1000x126mm (39.37x39.37x4.96in)
256x256pixels
49.6kg(109.35lb)
5,000nits
540w/panel
180w/panel
160°/155°
100-240V AC 50/60Hz
-20°C~+45°C
3,840Hz
IP65
DVI, HDMI, DP, SDI
CE, ETL, FCC, RoHS, REACH, WEEE, Fireproof, UKCA in processing

IL-RSS-ORAX4.63

4.63mm
46,656pixels/m ²
3 IN 1 SMD
250x500mm(9.84x19.69in)
54x108pixels
1000x1000x127mm (39.37x39.37x5.00in)
216x216pixels
49.8kg(109.79lb)
5,000nits
540w/panel
180w/panel
160°/98°
100-240V AC 50/60Hz
-20°C~+45°C
3,840Hz
IP65
DVI, HDMI, DP, SDI
CE, ETL, FCC, RoHS, REACH, WEEE, Fireproof, UKCA in processing

• The product specifications can be customized