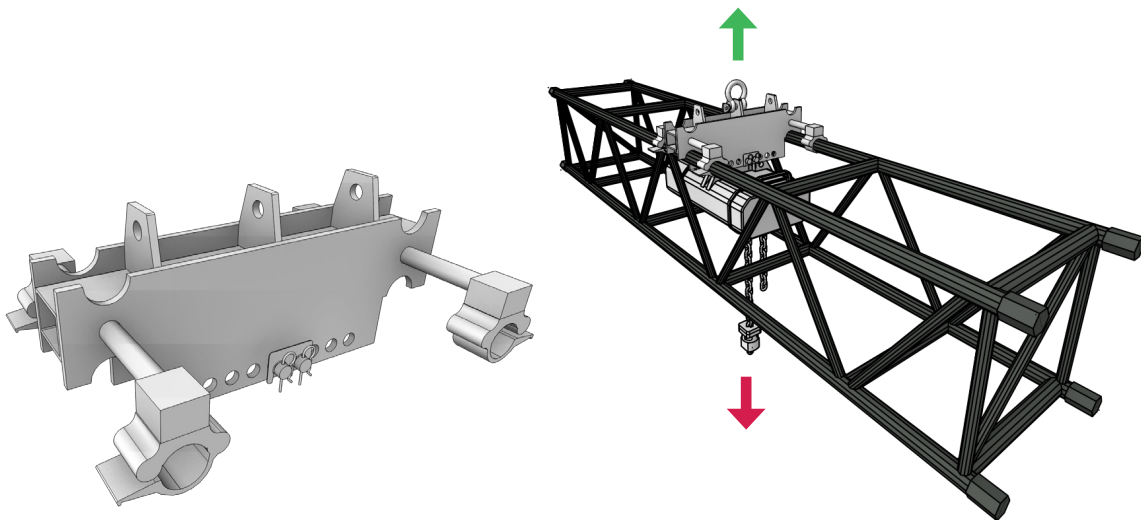


S52V Gizmo

Truss Gizmo for direct motor mount and scenical motion



Specifications:

- Allowable load capacity 1.0t with scenic motion (DGUV 17)
- Allowable load capacity 1.2t without scenic motion (DGUV 17)
- Manufactured according DIN-EN-ISO 1090 / EXEC 2
- Movable halfcouplers to adapt to cross bracing positions
- Mounted on or inside truss
- Fits prolyte S52V trusses
- Holds various hoist systems
- Includes structural analysis documentation
- Dimensions:
w 580 x d 400 x h 260mm
- Weight: 28kg