



AutoPar™ Wash Luminaire

The AutoPar™ Wash Luminaire from PRG Lighting is a compact, lightweight fixture which incorporates PAR 56 illumination with the dynamic features of an automated luminaire.

The AutoPar Luminaire features a powerful 700 watt arc lamp, an integrated ballast with power factor correction and a moving yoke. Four interchangeable front lenses provide a wide range of beam options, while a standard gel frame allows for color customization. A programmable rotating front lens assembly provides smooth rotation of the front lens within a 200° range. The unit contains a cold mirror dichroic coated reflector and a UV filter, which produce a cool, safe beam of light.

The AutoPar Wash Luminaire can be mounted in any orientation and easily controlled by any DMX512-compatible console. Two Mega-Claw truss hooks are included for quick, safe installation.



Dimensions

POSITIONING:

Can be mounted in any orientation.

SPACING:

Hangs on 20 inch (50.8 cm) centers.

WEIGHT:

44 lbs (19.96 kg)

Please see diagram on back

Accessories

55.6840.0001 Mega-Claw Truss Hook (Round and Square)

55.6841.0001 Mega-Claw Truss Hook (2" Round Tube)

71.2566.0700.0 MSR700 Arc Lamp

Features

SOURCE:	Philips MSR700 1CT 700W arc lamp Color Temp: 5600°K CRI: 85
BALLAST:	Integrated electronic ballast with universal input and power factor correction.
REFLECTOR:	Modified parabolic, multifaceted reflector finished with a metal cold mirror dichroic coating.
UV FILTER:	Internal coated filter. Rejects greater than 99% of ultra-violet radiation.
LENSES:	Four heat resistant, molded borosilicate glass lenses included: Very Narrow Spot, Narrow Spot, 8-Row Lenticular, and 12-Row Lenticular.
OUTPUT:	30,000 lumens
COLOR:	Gel frame holder allows tool-free replacement of standard color gels.
TEMP RANGE:	32° to 120° F (0° to 50° C)
COOLING:	Ballast: forced air Head and Yoke: free convection
CONTROL:	Control by DMX512. Uses nine DMX512 channels.
POSITIONING:	Can be mounted and operated in any orientation.
SPACING:	Hangs on 20 inch (50.8 cm) centers.
WEIGHT:	44 lbs (19.96 kg)
POWER REQ.	120V/8A, 208V/4A

PROGRAMMABLE FUNCTIONS

LAMP CONTROL:	Remote start and douse from console.
ROTATING LENS:	Programmable rotating front lens assembly with 200° range and 5 second full travel.
PAN AND TILT:	Smooth, timed continuous motion by way of three-phase stepper motors.
RANGE:	Pan - 360° and Tilt - 240° @ 60° per second.
ACCURACY:	0.3° resolution.

AutoPar™ Wash Luminaire Specifications

The unit shall be an integrally designed, remote-controlled, motorized wash luminaire. The head, yoke and enclosure housings shall be constructed of aluminum alloy and steel for lightweight strength and durability.

A single AC input cable along with two, five-pin DMX512 compatible connectors (in and thru) shall be provided. The unit shall be controlled by a wide variety of DMX512 consoles.

Each unit shall be equipped with an on-board processor providing diagnostic and self-calibration functions as well as internal test routines and software update capabilities.

The unit shall contain an electronic ignitor. A metal halide lamp ballast shall be used to power a 700W lamp. The ballast shall be an all-electronic, pulse start mechanism, which maintains constant power to the lamp for maximum efficiency and consistent light output and color. The ballast shall operate at a power factor greater than 0.98, and shall be cooled by forced air from a virtually silent fan.

The unit shall contain two independent, three-phase stepper motors, which provide movement of the head through 360° in the horizontal plane (pan) and 240° in the vertical plane (tilt). The pan and tilt mechanisms shall be belt-driven, providing

positional resolution and repeatability of 0.3° on either axis.

The unit shall contain one standard, top-mounted gel frame holder. Four easily removable heat resistant, glass lenses shall be included: Very Narrow Spot, Narrow Spot, 8-Row Lenticular, and 12-Row Lenticular. An internal coated UV filter shall reject greater than 99% of ultra-violet radiation.

A safety cable shall be provided. Total weight shall not exceed 44 lbs (19.96 kg). The unit shall be UL and C-UL listed, CE-marked and PSE marked for Japan. Exterior finish shall be black epoxy coat.

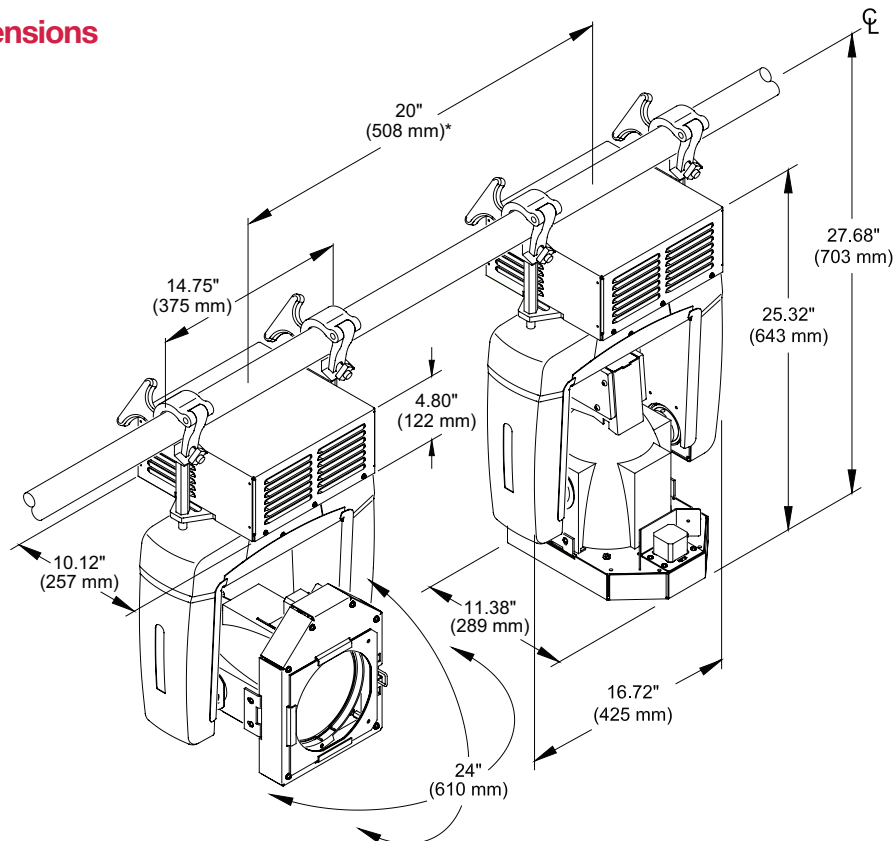
Photometric Data

AutoPar Wash Luminaire - MSR700 Lamp					
LENS	CANDELA (cd) **	BEAM ANGLE (degrees)	BEAM (Tn) *	FIELD ANGLE (degrees)	FIELD (Tn) *
VNSP	1,625,000	5°	0.087	14°	0.246
NSP	1,155,000	7.5°	0.131	15°	0.263
8-Row Horiz	360,000	18°	0.317	31°	0.555
8-Row Vert	360,000	12°	0.210	23°	0.407
12-Row Horiz	140,000	31°	0.555	50°	0.933
12-Row Vert	140,000	21°	0.371	33°	0.592

* Multiply throw distance by Tn to determine coverage.

** To calculate center beam illuminance (I) at a specific distance (D): $I = \frac{cd}{D^2}$
If (D) is in feet, (I) is in foot candles / If (D) is in meters, (I) is in lux

Dimensions



POSITIONING:
Can be mounted in any orientation.

SPACING:
Hangs on 20 inch (50.8 cm) centers.

WEIGHT:
44 lbs (19.96 kg)

AUTOPAR™ IS A TRADEMARKS OF PRODUCTION RESOURCE GROUP, LLC.

©2019 PRODUCTION RESOURCE GROUP, LLC. ALL RIGHTS RESERVED. SPECIFICATIONS ARE SUBJECT TO CHANGE WITHOUT NOTICE.

VERSION: DEC 2018