



SuperRay™ Luminaire - Preliminary

The SuperRay Luminaire is a compact precision-engineered advanced hybrid automated luminaire. As the ultimate designer's tool, SuperRay can transition seamlessly between performing as a Spot, Profile, Wash, Beam, or PRG GroundControl™ fixture with access to all features across all modes of use.

SuperRay, an advanced hybrid luminaire, uses a double-ended 1000 watt lamp which produces 20,000 lumens with a CRI of 92, and a native color temperature of 5600K. SuperRay creates an even, clean white beam ideal for TV/Film/Corporate Production.

SuperRay's high-resolution optical system features a stunning 20:1 zoom range, from a very narrow beam of 3° to a wide beam of 60°. Precise edge and beam control are accessible throughout the entire zoom range. SuperRay can also transition seamlessly into a Wash via its fully variable Frost system. With both an Iris and Framing shutters, the SuperRay offers maximum beam versatility in a single automated fixture.

SuperRay's CMY color mixing system offers strong saturated colors as well as a wide array of tints and lighter hues; a six-color designer wheel includes a superior UV filter for blacklight effects. The variable CTO wheel gives designers control over color temperature adjustment from 5600K down to 3200K.

SuperRay contains three different types of gobo wheels: a Rotating wheel with six rotating and indexable gobos; a Designer wheel with seven user-replaceable gobos; and a Fixed wheel with three static gobos and a fixed pixel animation range. The Effects wheel contains three different prisms that can operate with any of the gobos and/or beam control features of the SuperRay throughout the 3° to 60° zoom range.

GroundControl™ Compatible

Outfitted with the same HD camera as other GroundControl fixtures, the SuperRay becomes another member of the GroundControl family for situations that may require an automated remote follow spotlight with an even smaller footprint.

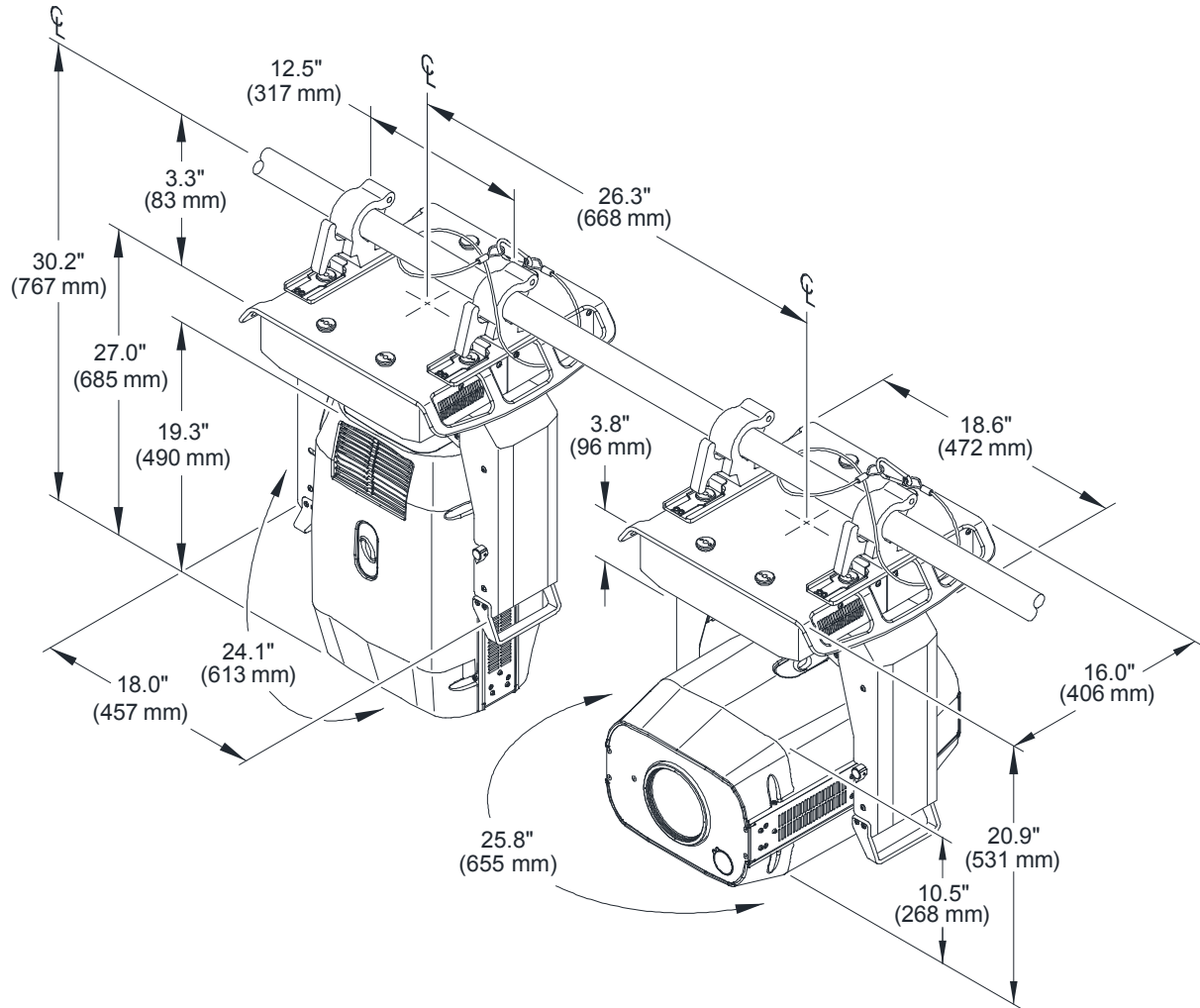


Features

SOURCE:	1000W Lamp
OUTPUT:	20,000 lumens
COLOR TEMPERATURE:	5600K
CRI:	92
POWER DRAW:	12.9A @ 120V, 7.5A @ 208V, 6.5A @ 240V. Auto-sensing voltage range, 110V-240V ±10% 50/60Hz. Power factor 0.95. Non-dimmed circuit only.
REFLECTOR:	Precision glass reflector with dichroic cold mirror coating.
INTENSITY:	Full-field dimming from 0% to 100% with smooth, accurate slow-speed control and fast bumps
STROBE:	Lightning fast strobe with built-in random, pulse, and fan effects
ZOOM:	20:1 from very narrow spot 3° to wide flood 60°.
EDGE CONTROL:	Precise optical control, maintaining focus throughout full zoom range.
BEAM SIZE IRIS:	A mechanical iris provides continuous beam size control for both rapid and smooth timed beam size changes.
FRAMING:	Four-blade framing system features four, independent full-field blades mounted in four planes. Each blade can be tilted +/- 30° and the entire system can be rotated +/- 60° for a total travel of 120°.
FROST:	Light, Medium, and Heavy Wash diffusion glass.
EFFECTS:	One (1) multiplying 4-facet prism, one (1) linear multiplying 4-facet prism, and one (1) multiplying 8-facet prism.
COLOR MIXING:	CMY color system featuring three (3) cross fading color wheels of Cyan, Magenta, Yellow.
DESIGNER COLOR WHEEL:	One (1) designer wheel with six (6) user-changeable color filters.
COLOR CORRECTION:	Variable CTO wheel, range 5600K - 3200K
ROTATING GOBOS:	One (1) rotating gobo wheel with six (6) rotating and indexing, user replaceable gobos. Gobos are individually calibrated for precise repeatability and consistent index orientation between multiple fixtures.
DESIGNER GOBO WHEEL:	One (1) designer gobo wheel with eight (8) user replaceable gobos.
FIXED GOBO/ ANIMATION WHEEL:	One (1) fixed gobo wheel with three (3) fixed patterns and a fixed Pixel Animation range.
PAN & TILT RANGE:	Pan - 540°, Tilt - 270°
POWER CONNECTOR:	Neutrik® powerCON TRUE1 Input and Pass-Thru
OPERATING TEMP:	32° to 122° F (0° to 50° C)
ON-BOARD CONTROL:	Built-in LCD display with touchscreen menu system. On-board battery power allows for the fixture address and configurations to be set without having to apply AC power to the luminaire.
CONTROL:	Compatible with DMX512-A, RDM, sACN, and Art-Net sources.
DMX CHANNELS:	46 Channels - GC Mode (Default), 42 Channels - Standard Mode

SuperRay™ Luminaire Specifications

Dimensions

**POSITIONING:**

Can be mounted in any orientation

SPACING:

Hangs on 26.3 inch (668mm) centers

WEIGHT:

85lbs (38.5kg) without hooks

SUPERRAY™ IS A TRADEMARK
OF PRODUCTION RESOURCE
GROUP, LLC.