

ReNEW[®] 2.0 LED Retrofit Assembly

The PRG RH+A ReNEW[™]2.0 LED Retrofit Assembly with enhanced light output and exceeds that of long life 750W HPL lamp. The ReNEW 2.0 is an LED light engine designed to work in conjunction with the lens tube and shutter assemblies of the Electronic Theatre Controls (ETC[®]) Source Four[®] ellipsoidal.

Exchanging the tungsten light source of the Source Four with the LED source of the ReNEW Assembly reduces energy consumption and HVAC costs while producing lumen output that exceeds a Long Life 750W HPL lamp. The ReNEW light engine draws 210 watts at full output and 3.1 watts during standby.

The ReNEW 2.0 Assembly is designed around a powerful chip-on-board (COB) LED light source array paired with a specially designed reflector and lens. The lens and reflector are designed to provide optimal illuminance distribution through the Source Four lens. The COB array is designed for easy upgrade in the future when improved LEDs become available.

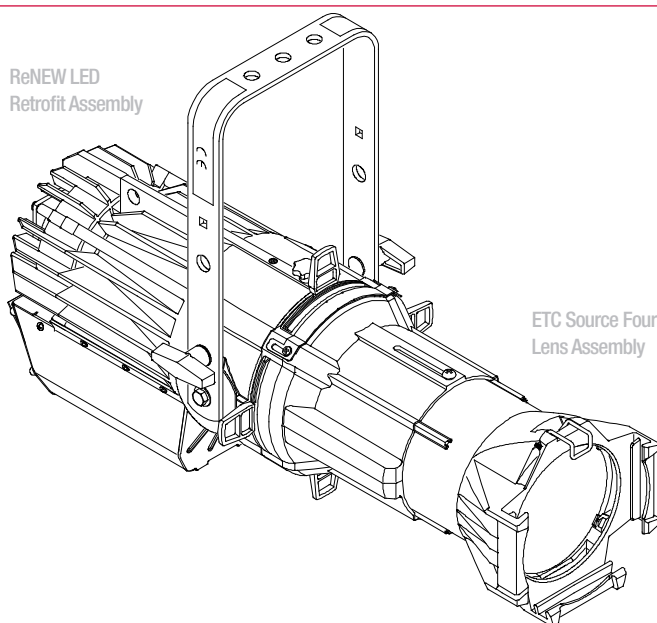
The unit works with all ETC lens tubes - both standard and Enhanced Definition Lens Tubes (EDLT), and all Source Four accessories.

The ReNEW 2.0 Assembly offers a choice of two color temperatures: The ReNEW 2.0 Tungsten, a fixed white light LED with a 3,000K 80+ CRI color temperature, and the ReNEW 2.0 Daylight, a fixed white light LED with a 5,600K 90+ color temperature.

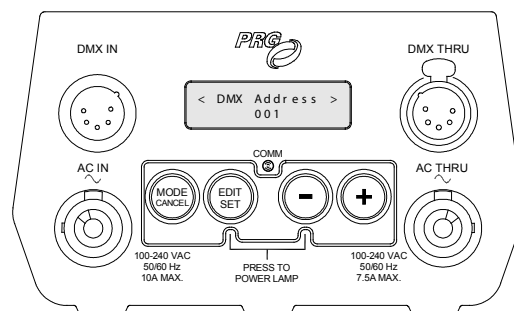
The reflector and lamp assembly of the ETC Source Four can be replaced with the ReNEW 2.0 LED light engine in less than a minute.

The ReNEW 2.0 Assembly can be operated with one, two, or three channels of DMX control, or operated in user-selectable stand-alone operation for simple installations or where DMX is not available. A DMX control signal can be connected and passed through the unit via one (1) male and one (1) female flush-mount 5-Pin XLR connector. The DMX connections are optically isolated.

The ReNEW 2.0 Assembly offers multi-voltage power input from 90-240 VAC 50/60Hz. Power is connected and can be fed through the unit via two (2) Neutrik[®] powerCON[®] connections. Up to four (4) ReNEW 2.0 units may be linked via power thru connectors. An additional power connection is available for a 9V DC battery to operate the control panel for quick setup or shop preparation without need to connect primary full power to the unit.



Interface Panel Detail

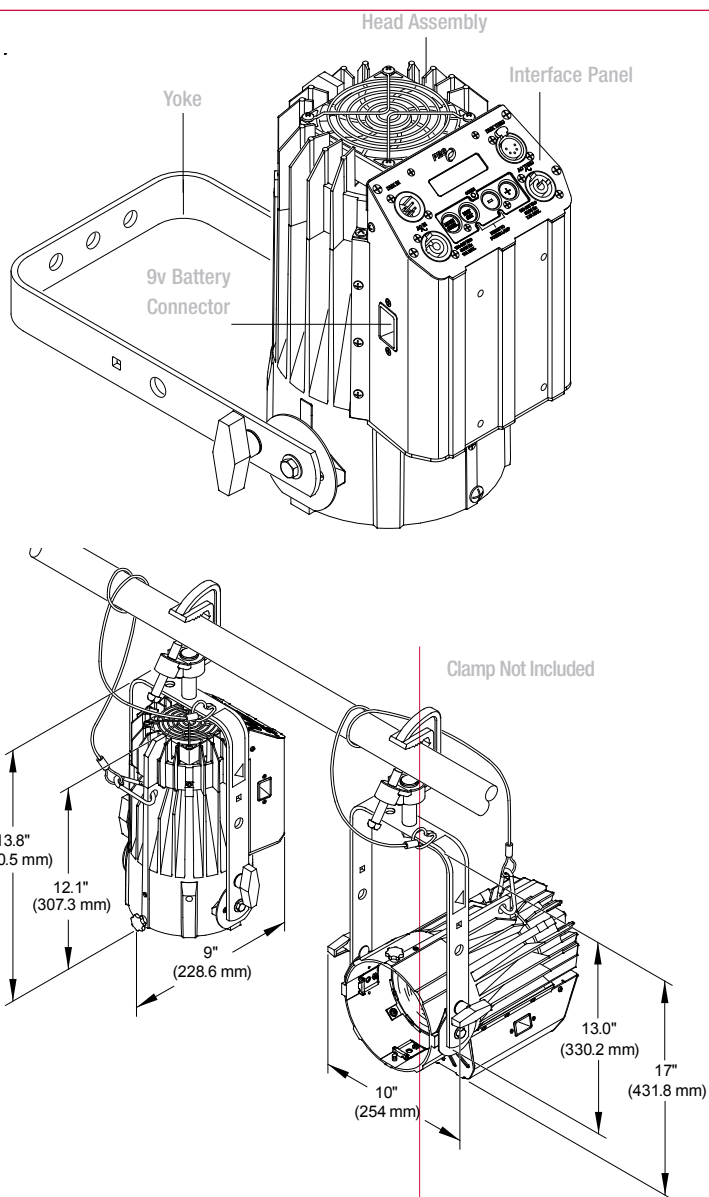


Features

Source:	LED Chip-on-Board
Power Draw at Full:	210W
Power Draw at Standby:	3.1W
Reflector:	Coated aluminum reflector
Dimming:	8-bit or 16-bit, 0 – 100%
Strobe and Effects:	Available on Effects Channel
Color Temperature:	3,000K Tungsten or 5,700K Daylight
Control:	DMX or Stand-Alone
On-Board Control:	Set Intensity or Effects
DMX Channels:	1, 2, or 3 DMX Channels
DMX Connections:	5-pin XLR DMX-In and DMX-Thru
Power Input:	90-240 VAC 50/60 Hz Universal Power Input
Power Connections:	Neutrik [®] powerCON [®] In and Thru Connectors
Power Linking:	Up to four units can be linked with AC power thru connector
Weight:	12.5 lbs (5.66 kg)
Ratings:	ETL and CETL Listed, CE Marked
Temp. Rating:	Maximum Ambient Operating Temperature 50C / 122F

ReNEW® 2.0 LED Retrofit Assembly

ReNEW 2.0 & ReNEW-LD 2.0 DMX TUNGSTEN PHOTOMETRICS				
19 DEGREE STANDARD S4 LENS BARREL				
THROW DISTANCE (FT)	25	40	55	70
THROW DISTANCE (M)	7.6	12.2	16.7	21.3
BEAM DIAMETER (FT)	6.75	11	14.65	18.65
BEAM DIAMETER (M)	2.0574	3.35	4.5	5.7
ILLUMINANCE (FC)	225	88	46.5	29
ILLUMINANCE (LUX)	2421	947	500	312
26 DEGREE STANDARD S4 LENS BARREL				
THROW DISTANCE (FT)	15	30	45	50
THROW DISTANCE (M)	4.6	9.1	13.7	18.1
BEAM DIAMETER (FT)	6.125	12.25	18.38	20.4
BEAM DIAMETER (M)	1.9	3.7	5.6	6.25
ILLUMINANCE (FC)	458	115	51	42
ILLUMINANCE (LUX)	4928	1237	549	452
36 DEGREE STANDARD S4 LENS BARREL				
THROW DISTANCE (FT)	15	25	35	45
THROW DISTANCE (M)	4.6	7.6	10.7	13.7
BEAM DIAMETER (FT)	8.6	14.4	20	25.9
BEAM DIAMETER (M)	2.6	4.4	6.1	7.9
ILLUMINANCE (FC)	298	108	55	33
ILLUMINANCE (LUX)	3207	1162	592	355
50 DEGREE STANDARD S4 LENS BARREL				
THROW DISTANCE (FT)	10	15	25	30
THROW DISTANCE (M)	3	4.6	7.6	9.1
BEAM DIAMETER (FT)	9	13.5	22.5	27
BEAM DIAMETER (M)	2.75	4.1	6.9	8.25
ILLUMINANCE (FC)	360	160	58	40
ILLUMINANCE (LUX)	3874	1722	624	431



ReNEW 2.0 DMX TUNGSTEN - PART NUMBERS	
RHA-RN2.1130.00	ReNEW 2.0 DMX , BLACK, LED 3000K TUNGSTEN 80+ CRI, W/BARE END PWR CORD
RHA-RN2.1130.01	ReNEW 2.0 DMX, BLACK, LED 3000K TUNGSTEN 80+ CRI, W/EDISON PWR CORD
RHA-RN2.1130.03	ReNEW 2.0 DMX BLACK, LED 3000K TUNGSTEN 80+ CRI, W/STAGE PIN PWR CORD
RHA-RN2.1130.04	ReNEW 2.0 DMX, BLACK, LED 3000K TUNGSTEN 80+ CRI, W/POWERCON PWR CORD
RHA-RN2.1130.05	ReNEW 2.0 DMX, BLACK, LED 3000K TUNGSTEN 80+ CRI, W/L5-20P PWR CORD
RHA-RN2.1130.06	ReNEW 2.0 DMX, BLACK, LED 3000K TUNGSTEN 80+ CRI, W/L5-15P PWR CORD
ReNEW 2.0 DMX DAYLIGHT - PART NUMBERS	
RHA-RN2.1152.00	ReNEW 2.0 DMX, BLACK, LED DAYLIGHT 90+ CRI, W/BARE END PWR CORD
RHA-RN2.1152.01	ReNEW 2.0 DMX, BLACK, LED DAYLIGHT 90+ CRI, W/EDISON PWR CORD
RHA-RN2.1152.03	ReNEW 2.0 DMX, BLACK, LED DAYLIGHT 90+ CRI, W/STAGE PIN PWR CORD
RHA-RN2.1152.04	ReNEW 2.0 DMX, BLACK, LED DAYLIGHT 90+ CRI, W/POWERCON PWR CORD
RHA-RN2.1152.05	ReNEW 2.0 DMX, BLACK, LED DAYLIGHT 90+ CRI, W/L5-20P PWR CORD
RHA-RN2.1152.06	ReNEW 2.0 DMX, BLACK, LED DAYLIGHT 90+ CRI, W/L5-15P PWR CORD



WWW.PRG.COM

RENEW 2.0 IS A REGISTERED TRADEMARK OF PRODUCTION RESOURCE GROUP, LLC.

SOURCE FOUR® IS A REGISTERED TRADEMARK OF ELECTRONIC THEATRE CONTROLS, INC. NEUTRIK® AND POWERCON® ARE REGISTERED TRADEMARKS OF NEUTRIK AG.

©2019 PRODUCTION RESOURCE GROUP, LLC. ALL RIGHTS RESERVED. SPECIFICATIONS ARE SUBJECT TO CHANGE WITHOUT NOTICE. VERSION: JULY 2019