

## ReNEW-LD 2.0 Line Dimmable LED Retrofit Assembly

The PRG RH+A ReNEW-LD 2.0 with enhanced output is a line dimmable LED Retrofit Assembly designed to work in conjunction with the lens tube and shutter assemblies of the Electronic Theatre Controls (ETC®) Source Four® ellipsoidal. Exchanging the tungsten light source of the Source Four with the LED source of the ReNEW-LD 2.0 reduces energy consumption and HVAC costs while producing lumen output that exceeds a Long Life 750W HPL lamp. The ReNEW-LD draws 215 watts at full power.

The ReNEW-LD 2.0 is designed around a chip-on-board (COB) LED light source array paired with a specially designed reflector and lens. The lens and reflector combination provide optimal illuminance distribution through the Source Four lens.

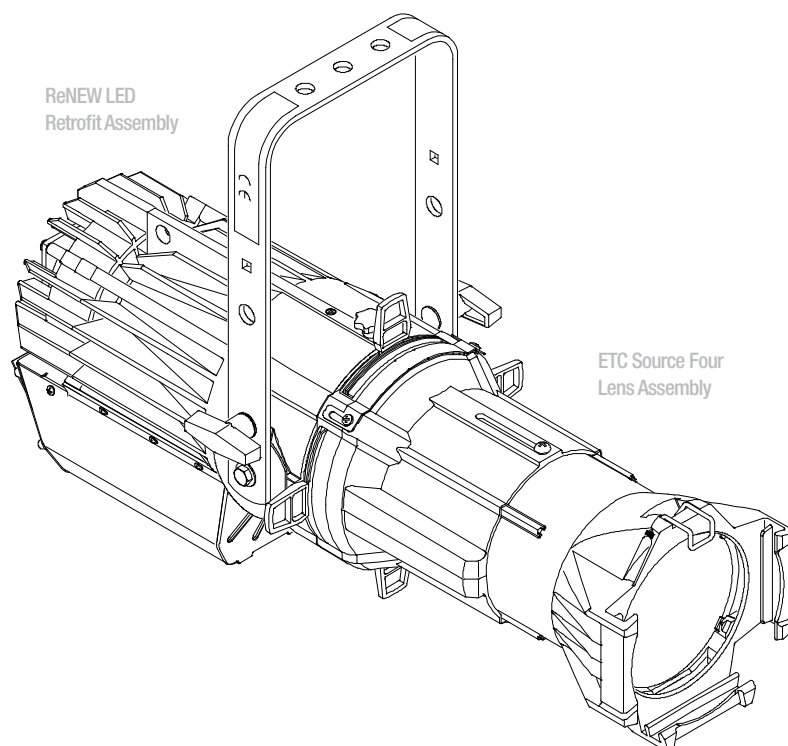
The unit works with all ETC lens tubes - both standard and Enhanced Definition Lens Tubes (EDLT), and all Source Four accessories. The ReNEW-LD 2.0 is also compatible with PHX lens and shutter assemblies.

The ReNEW-LD offers a choice of two color temperatures: The ReNEW-LD Tungsten, a white light LED with a 3,000K color temperature, and the ReNEW -LD Daylight, a white light LED with a 5,600K color temperature.

The reflector and lamp assembly of the ETC Source Four can be replaced with the ReNEW-LD 2.0 LED light in less than a minute.

The ReNEW-LD 2.0 can be operated on most standard theatrical and architectural type dimmers as well as simple manual dimmers. When connected to non-dim power the unit will turn on to full intensity.

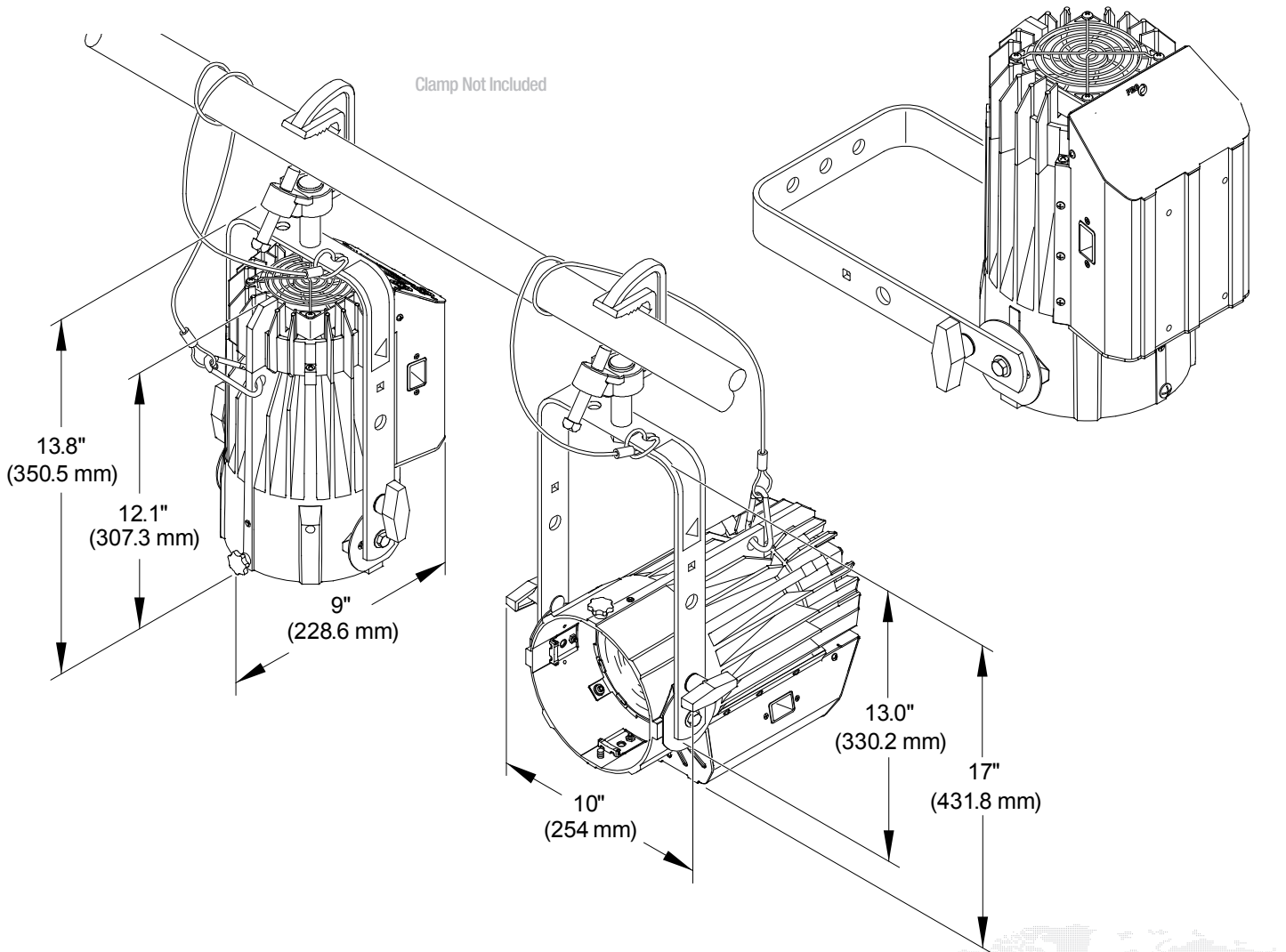
The ReNEW-LD 2.0 Assembly offers dedicated models for use in either 100V, 120V, or 240V operating conditions. The unit is supplied standard with a 6' power cable and choice of listed connector and safety cable.



### Features

Source:	LED Chip-on-Board
Power Draw at Full:	215W
Reflector:	Coated aluminum reflector
Dimming:	Mains / Line Dimmable
Color Temperature:	3,000K Tungsten or 5,700K Daylight
Power Input:	100VAC, 120VAC & 240VAC models available
Power Connections:	Attached 6' Power Cable
Weight:	12.5 lbs (5.66 kg)
Ratings:	ETL, CETL and CE Pending
Temp. Rating:	Maximum Ambient Operating Temperature 50C / 122F

# ReNEW-LD 2.0 Line Dimmable LED Retrofit Assembly



### ReNEW-LD 2.0 TUNGSTEN - PART NUMBERS

RHA-RN2.LD.T.BK.120.*	ReNEW-LD, 120VAC LINE DIMMABLE, BLACK, LED 3000K TUNGSTEN 80+ CRI, W/BARE END PWR CORD
RHA-RN2.LD.T.BK.100.*	ReNEW-LD, 100VAC LINE DIMMABLE, BLACK, LED 3000K TUNGSTEN 80+ CRI, W/BARE END PWR CORD
RHA-RN2.LD.T.BK.240.*	ReNEW-LD, 240 VAC LINE DIMMABLE, BLACK, LED 3000K TUNGSTEN 80+ CRI, W/BARE END PWR CORD

### ReNEW-LD 2.0 DAYLIGHT - PART NUMBER

RHA-RN2.LD.DL.BK.120.*	ReNEW-LD, 120VAC LINE DIMMABLE, BLACK, LED 5700K DAYLIGHT 90+ CRI, W/BARE END PWR CORD
RHA-RN2.LD.DL.BK.100.*	ReNEW-LD, 100VAC LINE DIMMABLE, BLACK, LED 5700K DAYLIGHT 90+ CRI, W/BARE END PWR CORD
RHA-RN2.LD.DL.BK.240.*	ReNEW-LD, 240VAC LINE DIMMABLE, BLACK, LED 5700K DAYLIGHT 90+ CRI, W/BARE END PWR CORD

\* In place of asterisk 0 = Bare End , 1 = Edison Connector , 2 = Stage Pin, 3 = L5-20 Twist Lock

Note: ETC & PHX lens barrels and shutter assemblies sold separately

[WWW.PRG.COM](http://www.prg.com)

**RENEW® 2.0 IS A REGISTERED TRADEMARK OF PRODUCTION RESOURCE GROUP, LLC.**

**SOURCE FOUR® IS A REGISTERED TRADEMARK OF ELECTRONIC THEATRE CONTROLS, INC. NEUTRIK® AND POWERCON® ARE REGISTERED TRADEMARKS OF NEUTRIK AG.**

**©2019 PRODUCTION RESOURCE GROUP, LLC. ALL RIGHTS RESERVED. SPECIFICATIONS ARE SUBJECT TO CHANGE WITHOUT NOTICE. VERSION: JULY 2019**