

RHA LED Projector

Fixture Type: _____

The RHA LED Projector, a focusable white light LED 25°-50° zoom ellipsoidal luminaire, addresses the needs of lighting designers and specifiers who require a small, lightweight framing projector. This refined luminaire offers a high output of over 3,500 lumens with tool-free versatility to allow for precise control in a range of architectural and entertainment applications.

The full featured RHA LED Projector produces a powerful output housed in a discreet, compact form factor, which is important for architectural and retail environments as well as themed environments. This focusable luminaire uses a high output, 32-watt long-life 3,000K white LED module for sharp or soft, narrow to wide focus in lighting applications. The RHA LED Projector is dimmable via most ELV and triac type dimmers. A fully addressable DMX 512 version is also available for even more control and versatility.

A key feature of this spot luminaire is a uniquely designed zoom system – from a narrow 25° to a wide 50° focus via a tool free adjustable focus mechanism. The RHA LED Projector allows designers the control and flexibility to highlight or project a pattern with pinpoint accuracy in both hard and soft focus.

The luminaire is supplied with an electronic multi-voltage driver for 120-277 VAC. The RHA LED Projector is supplied standard with a 6' cord and molded Edison plug but can be specified for use with a variety of track adapter and canopy options.

A range of accessories is available for the RHA LED Projector including color frame, snoot, and pattern holder for use with user provided glass or steel E-size patterns. A range of mounting options is available including a variety of clamps, as well as a table/floor base. The RHA-LED Projector luminaire meets the rigorous standards for electrical safety and include ETL, cETL, and CE.



Features

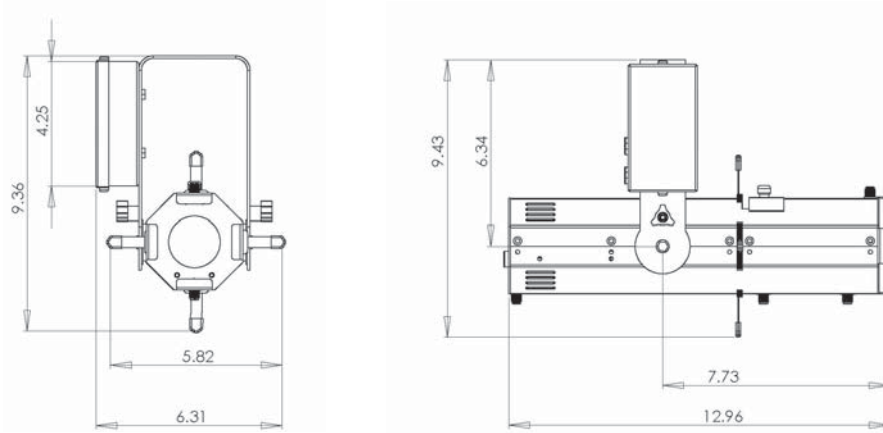
- **HIGH-POWER 32-WATT 3,000K WHITE LIGHT LED EMITTER**
- **LUMEN OUTPUT 3,500 INITIAL LUMENS**
- **LED LIFETIME RATED AT 50,000 HOURS**
- **TOOL FREE FOCAL RANGE FROM 25° TO 50°**
- **ACCEPTS GLASS OR STEEL PATTERNS –SIZE 37.5MM OD – 28MM IMAGE AREA**
- **4 X BLACK FRAMING SHUTTERS**
- **AVAILABLE IN BLACK (STANDARD), WHITE AND SILVER FINISHES**
- **AVAILABLE ACCESSORIES – COLOR FRAME & SAFETY CABLE (INCLUDED) AND OPTIONAL PATTERN HOLDER, SNOOT, AND DONUT ARE AVAILABLE.**
- **UTILIZES ELECTRONIC DRIVER - 120-277VAC 50/60HZ - DIMMING VIA TRIAC OR TRAILING EDGE TECHNOLOGY IS AVAILABLE @ 120VAC ONLY**
- **SAFETY CABLE AND COLOR FRAME INCLUDED**
- **TRACK AND CANOPY OPTIONS AVAILABLE**
- **FULLY ADDRESSABLE AND DIMMABLE DMX 512 LUMINAIRE ALSO AVAILABLE CONTACT RH+A FOR DETAILS**

RHA LED Projector Specifications

LIGHT SOURCE: 3,000K WARM WHITE LED ARRAY
 (5,000K AVAILABLE AS A SPECIAL ORDER. CONTACT RH+A)
VOLTAGE: 120-277VAC 50/60HZ (DIMMABLE ONLY AT 120VAC)
MOUNTING: 1/2" THROUGH HOLE
POWER DRAW: MAXIMUM 24-WATTS

LAB LISTINGS: ETL, CETL, AND CE LISTED
POWER CORD: 6' WITH MOLDED EDISON CONNECTOR
FRONT ACCESSORY SIZE: 3-3/16" DIAMETER OR SQUARE
FINISH: BLACK, WHITE OR SILVER POWDER PAINT FINISH

Dimensions



Weight 5.5 lbs.

DIMENSIONS ARE IN INCHES

Photometry Pending

NARROW SPOT FOCUS

DISTANCE IN FEET	10	15	20	25
CENTER PEAK IN FOOTCANDLES	105	47	27	18
BEAM DIAMETER IN FEET	4.45'	6.61'	8.82'	11'

WIDE FLOOD FOCUS

DISTANCE IN FEET	10	15	20	25
CENTER PEAK IN FOOTCANDLES	50	23	13	8
BEAM DIAMETER IN FEET	7.68'	11.5'	15.5'	19.25'



TOKYO
 SHANGHAI
 MELBOURNE
 SYDNEY
 LONDON
 BIRMINGHAM
 MAIDSTONE
 HAMBURG
 COLOGNE
 FRANKFURT
 MUNICH
 BERLIN
 DÜSSELDORF
 BRUSSELS
 PARIS
 UTRECHT
 MADRID
 ZURICH
 BUENOS AIRES
 NEW YORK
 NEW JERSEY
 WASHINGTON DC
 TORONTO
 DETROIT
 CHICAGO
 DEKALB
 ATLANTA
 ORLANDO
 NEW ORLEANS
 DALLAS
 DENVER
 LAS VEGAS
 LOS ANGELES

RHA LED Projector Part Numbers

RHA-LED.P.120.** RHA LED PROJECTOR - 32 WATT-3000K - 120-277 VAC BLACK FINISH -ETL/CETL 6' CABLE W/ MOLDED EDISON - SAFETY CABLE AND COLOR FRAME INCLUDED DMX OPTIONS FOR TRACK AND NON-TRACK APPLICATIONS. CONTACT RH+A CONTACT
 ** BK=BLACK WH = WHITE SL = SILVER

TRACK ADAPTER STYLE ** =
 ET = 120V EUTRAC 2 CIRCUIT STANDARD TRACK
 LSI = 120V LIGHTING SERVICES INC.
 H = HALO STYLE - 120V 1 CIRCUIT
 L- 120V LIGHTOLIER LYTESPAN STYLE 1 CIRCUIT
 E1 = 120V NORDIC ECO 1 CIRCUIT
 E2 = 120V NORDIC TEK 2 CIRCUIT

For 277VAC Track Options Please Contact RH+A

RHA-CANOPY.INSTALL INSTALL 5" DIAMETER CANOPY ON RHA-LED PROJECTOR FOR J-BOX MOUNT
 RHA-RP.PH.BK RHA LED PROJECTOR STEEL PATTERN HOLDER
 RHA-RP.CF.* COLOR FRAME (INCLUDED WITH FIXTURE)
 RHA-P.SC SAFETY CABLE (INCLUDED WITH FIXTURE)
 RHA-BULLET.SN SNOOT ACCESSORY
 RHA-DN DONUT ACCESSORY
 RHA-MEGA.CLAMP.BK BLACK CLAMP FOR 1"-2" PIPE W/ 1/2" MOUNTING BOLT

WWW.PRGRHA.COM

RHA LED PROJECTOR IS A TRADEMARK OF PRODUCTION RESOURCE GROUP, LLC.

©2014 PRODUCTION RESOURCE GROUP, LLC. ALL RIGHTS RESERVED. SPECIFICATIONS ARE SUBJECT TO CHANGE WITHOUT NOTICE.

VERSION: MARCH 2014