

A world map composed of a grid of small grey dots, with a few red dots scattered across the continents.

SOFTWARE VERSION 1.0

WWW.PRГ.COM

BULLET SERIES 2.0 LED LUMINAIRE

USER MANUAL

AutoPar[®], Bad Boy[®], Best Boy[®], Followspot Controller[™], Mbox[®], Mini Node[™], Nocturne[®], Series 400[®], ReNEW[®], Super Node[™], UV Bullet[™], V476[®], V676[®], Virtuoso[®], and White Light Bullet[™], are trademarks of Production Resource Group, LLC, registered in the U.S. and other countries.

All other brand names which may be mentioned in this manual are trademarks or registered trademarks of their respective companies.

This manual is for informational use only and is subject to change without notice. Please check www.prg.com for the latest version. PRG assumes no responsibility or liability for any claims resulting from errors or inaccuracies that may appear in this manual.

Bullet Series 2.0 LED Luminaire User Manual

Version as of: August 25, 2015

PRG part number: 02.9832.0001



Production Resource Group, LLC
PRG RH+A
539 Temple Hill Road
New Windsor, NY 12553-5533
www.prg.com

FOREWORD

Important Safety Instructions

- + Read these instructions.
- + Keep these instructions.
- + Heed all warnings.
- + Follow all instructions.
- + Do not block any of the fixture's ventilation openings.
- + Do not operate at temperatures above 40°C (104°F).
- + Do not install the fixture near any heat sources such as radiators, heat registers, stoves, or other apparatus (including amplifiers) that produce heat.
- + Do not install the fixture on or near a flammable surface.
- + Do not operate the fixture with a damaged power lead. If the power lead (cordset) is damaged, it must be replaced.
- + Do not operate the fixture if lens is deeply scratched or cracked. Damaged lenses must be replaced.
- + Mount and support the fixture only by the primary suspension holes in the yoke.
- + Suspend the fixture from a suitable structure using only hardware rated for the weight of the fixture.
- + In addition to primary suspension, attach a safety cable to the fixture housing. An appropriate attachment point (hole) is provided in the fixture's housing.
- + Disconnect the fixture from power and DMX control and allow to cool before performing any cleaning or maintenance.

Safety symbols used throughout this manual are as follows:

	CAUTION advising of potential damage to product.
	WARNING advising of potential injury or death to persons.



WARNING! The fixtures contain no user-serviceable parts and should only be serviced by a trained technician.



ATTENTION! Les appareils ne contiennent aucune pièce réparable par l'utilisateur et ne devraient être desservies par un technicien qualifié.



WARNING! The UV Bullet has a peak output of 365nm, which is in the Ultraviolet A (UVA) range. Ultraviolet (UV) light is harmful to the skin and eyes. Since it is minimally visible to the naked eye, this hazard is more significant. **DO NOT** stare directly into the lens when testing or operating the unit. Avoid long-term exposure to the UV light at close range unless appropriate precautions are taken to block the harmful wavelengths.



ATTENTION! Le Bullet UV a une puissance de crête de 365 nm, qui est dans la plage ultraviolet A (UVA). Le rayonnement ultraviolet (UV) est nocif pour la peau et les yeux. Comme il est très peu visible à l'oeil nu, ce risque est plus important. Ne pas regarder directement dans l'objectif lors de l'essai ou de faire fonctionner l'appareil. Éviter l'exposition à long terme à la lumière UV à courte portée moins que des précautions appropriées soient prises pour bloquer les longueurs d'ondes nocives.



WARNING! To reduce the risk of fire or electric shock, do not expose indoor driver box to rain or moisture.



ATTENTION! Pour réduire le risque d'incendie ou un choc électrique, ne pas exposer boîte de pilote intérieure à la pluie ou à l'humidité.



WARNING! Power supply plug and/or power switch/circuit breaker shall remain readily operable.



ATTENTION! Prise d'alimentation et / ou l'interrupteur d'alimentation / disjoncteur doit rester facilement accessible.



WARNING! This CLASS I apparatus shall be connected to a MAINS socket outlet with a protective earthing connection.



ATTENTION! Ce appareils de CLASSE I doit être raccordé à une prise secteur dotée d'une connexion à la terre.



WARNING! Where the MAINS plug or an appliance coupler is used as the disconnect device, the disconnect device shall remain readily operable.



ATTENTION! Si la fiche d'alimentation ou un coupleur d'appareil est utilisé comme dispositif de déconnexion, le dispositif de déconnexion doit rester facilement accessible.



WARNING! For personal safety, this equipment must be properly grounded.

Do not, under any circumstances, cut or remove the ground prong from the power cord.

The power cord of this equipment is provided with a 3-prong grounding plug which mates with a standard 3-prong grounded wall outlet to minimize the possibility of electric shock hazard from this equipment.

Have the wall outlet and electrical circuit checked by a qualified electrician to ensure the outlet is properly grounded. If the outlet is a standard 2-prong outlet, it is your personal responsibility and obligation to have it replaced with a properly grounded 3-prong outlet.

Never unplug the equipment by pulling on the power cord. Always grip the plug firmly and pull it straight out from the outlet. Do not use a cord that shows cracks or damage along its length or at either end.

Replacement cords may be ordered from PRG.



ATTENTION! Pour votre sécurité, cet appareil doit être correctement mis à la terre.

Il ne faut en aucun cas couper ou enlever la broche de terre du cordon d'alimentation.

Le cordon d'alimentation de cet appareil est fourni avec une fiche à 3 broches qui s'accouple avec un standard à 3 broches mise à la terre prise murale afin de minimiser le risque de choc électrique de cet équipement.

Faites vérifier la prise murale et le circuit électrique par un électricien qualifié pour assurer la prise est correctement mise à la terre. Si la prise est un standard 2 broches prise, il est de votre responsabilité et l'obligation de la faire remplacer par une prise à 3 broches prise.

Ne jamais débrancher l'appareil en tirant sur le cordon d'alimentation. Toujours saisir fermement la fiche et tirez-le tout droit hors de la prise. Ne pas utiliser un cordon qui présente des fissures ou des dommages sur toute sa longueur ou aux extrémités. Cordons de rechange peuvent être commandées auprès PRG.



WARNING! Do not use an AC power cord that is nicked, frayed or damaged in any way. An approved replacement AC power cord may be obtained from PRG, LLC. Consult the User Manual for available configurations and part numbers.



AVERTISSEMENT! Ne pas utiliser un cordon d'alimentation qui est entaillé, usé ou endommagé de quelque façon. Un remplacement cordon d'alimentation approuvé peut être obtenu à partir de PRG, LLC. Consultez le manuel de l'utilisateur pour les configurations disponibles et les numéros de pièce.



TABLE OF CONTENTS

Introduction

About This Manual	1
Additional Documentation	1
Customer Service	1

Overview

Description	2
Components and Accessories	3
Major Components and Controls	4

Installation

Unified Mounting	5
Split Mounting	6
Triple Head Mounting	7
Outdoor Installation	8
Connecting Head Cables (Lamp Power)	9
Connecting Data Cables	10
DMX512 Cables	11
DMX512 Male Termination Connector	12

Power Up and Operation

Power Up	13
LED Indicators	13
Standard Operating Modes	14
Exception Modes	15
RDM	15
Focusing the Beam	15

Technical Specifications

Bullet Series 2.0 LED Luminaire	16
---------------------------------------	----



REVISION HISTORY

This manual has been revised as follows:

Version	Release Date	Notes
BASIC	August 25, 2015	Initial release.



INTRODUCTION

About This Manual

This manual provides necessary information regarding product safety, installation, and operation for the following equipment:

- + Bullet Series 2.0 LED Luminaire

Familiarizing yourself with this information will help you get the most out of your lighting system.



WARNING: It is important to read ALL accompanying safety and installation instructions to avoid damage to the product and potential injury to yourself or others.

Additional Documentation

For more information about DMX512, sACN, and RDM protocols, refer to the following documents available from the American National Standards Institute (ANSI) at www.ansi.org:

- + ANSI E1.11 - 2008 (R2013)
Entertainment Technology - USITT DMX512-A, Asynchronous Serial Digital Data Transmission Standard for Controlling Lighting Equipment and Accessories
- + ANSI E1.20 - 2010
Entertainment Technology-RDM-Remote Device Management over USITT DMX512 Networks

The above documents are also available for free in electronic format at tsp.plasa.org

Customer Service

For technical assistance, contact PRG RH+A.

PRG RH+A

539 Temple Hill Road

New Windsor, NY 12553-5533

1-800-748-6562

For additional resources and documentation, please visit our website at: www.prg.com

OVERVIEW

Description

The Bullet Series 2.0 are focusable and compact LED luminaires that address the needs of lighting designers and specifiers who require small, lightweight spotlights. These refined luminaires offer a high output with tool-free versatility to allow for precise control in a range of architectural and entertainment applications. The Bullet head is rated for indoor/ outdoor use.

The full featured Bullets produce a powerful output housed in a discreet, compact form factor, which is important for architectural and retail environments as well as themed environments. These focusable luminaires use a high output, long life 3,000K, 5,000K or UV LED array for wash and spot lighting applications. The Bullets dim smoothly over the whole output range and use only 20-watts per head.

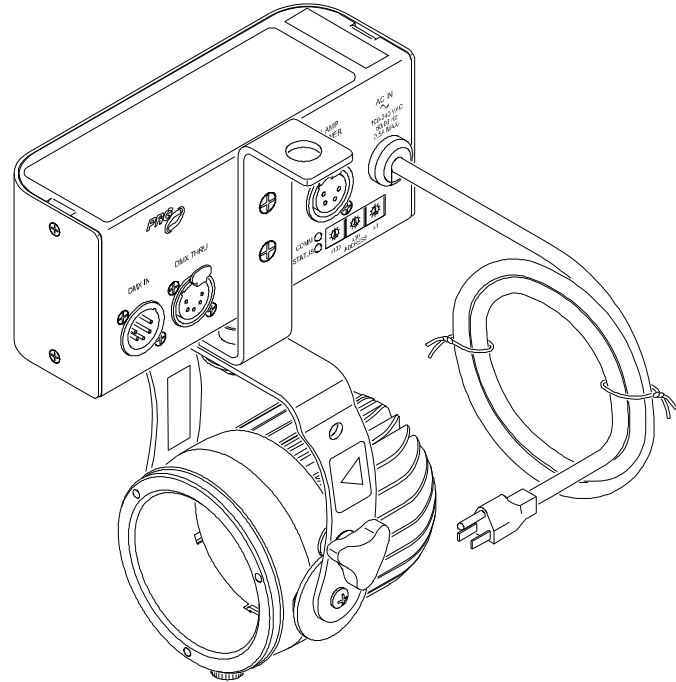
A key feature of this luminaire is a uniquely designed zoom system – from a narrow 12° spot to an extra wide 54° flood for the White Light and Daylight models and 8° to 54° for the UV Bullet. The easily adjustable focus mechanism requires no change of lens, no tools, and is lockable for permanent installations. The Bullet allows designers the control and flexibility to highlight with pinpoint accuracy.

The 3-foot cable with 4-pin XLR connector on the Bullet head allows quick disconnection of the luminaire from the power supply for remote mounting. Additional 4-pin XLR extension cables can be used to remote the head from the power supply up to 50 foot maximum.

The luminaire is powered by an electronic multi-voltage power supply with DMX-512A/ RDM interface with feed-thru capabilities via isolated 5-pin male and female XLR connections. DMX addressing and pre-programmed onboard options including strobe, fade, and manual dimming are assigned via three rotary dials. The DMX/Power Supply housing can be remotely mounted from the Bullet to accommodate any installation environment. Available head power supplies can be used with any combination of White Light, Daylight or UV Bullet heads.

Indoor power supplies include a single and triple head model with flush mount 4-pin XLR head connections, flush 5-pin male and female XLRs for data feed thru, and a 6-foot power cable with molded Edison connector.

Exterior rated power supplies are single, triple, and six-way models with 4-pin XLR head connections via a 6-inch tail, 5-pin male and female XLR tails for data feed thru, and 6-foot, bare-end power cable for hard wire installation or molded Edison connector.





Components and Accessories

A range of accessories is available for the Bullet Series including an accessory holder/color frame, barndoor, snoot, and linear spread diffusion. A projection accessory is also available for attachment to the front barrel that allows for projection of steel, glass, and printed gobo images and textures. A range of mounting options are available including a variety of clamps, as well as a table/floor base.

Bullet Series 2.0 Single Head Luminaire w/o Power Supply

RHA-UVB.H.2110	UV Bullet 365nm, Black, Single Head w/o DMX Power Supply *
RHA-WLB.H.2130	White Light Bullet 3,000K, Black Single Head w/o DMX Power Supply *
RHA-DLB.H.2150	Daylight Bullet 5,000K, Black, Single Head w/o DMX Power Supply *

* Bullet Series Power Supply sold separately from Head

Bullet Series 2.0 Power Supplies

RHA-PSID.S.2100	Power Supply, Indoor, Single Head, Black
RHA-PSID.T.2100	Power Supply, Indoor, Triple Head, Black
RHA-PSOD.1.2101	Power Supply, Outdoor, Single Head, Gray
RHA-PSOD.3.2102	Power Supply, Outdoor, Triple Head, Gray
RHA-PSOD.6.2103	Power Supply, Outdoor, Six Head, Gray

Bullet Series 2.0 Outdoor Rated 4-Pin XLR Extension Cables

RHA-4XLR.10FT	Cable Assy, 10' Outdoor Rated 4-Pin XLR Extension Cable for Bullet Series
RHA-4XLR.25FT	Cable Assy, 25' Outdoor Rated 4-Pin XLR Extension Cable for Bullet Series
RHA-4XLR.50FT	Cable Assy, 50' Outdoor Rated 4-Pin XLR Extension Cable for Bullet Series

Bullet Series 2.0 Accessories

RHA-BULLET.CFA	Bullet Series Front Accessory Holder and Color Frame, Black
RHA-BULLET.BD	Bullet Series Four-Leaf Barndoor, Black - (Requires Part Number RHA-BULLET.CFA)
RHA-BULLET.SN	Bullet Series Snoot Accessory, Black
RHA-BULLET.LSL	Linear Spread Lens - (Requires Part Number RHA-BULLET.CFA)
RHA-BULLET.BASE	Bullet Floor Mounting Base, Black
RHA-TLS.MINI.CLAMP	Mini-Clamp with 3/8" Bolt for use with 3/8"-1-1/2" Pipe, Black
RHA-TLS.MEGA.CLAMP	C-Clamp with 1/2" Bolt for use with 1"-2" pipe, Black
RHA-BULLET.PROJ.TH.BK	25°-50° Gobo Projection Accessory - (No Shutters)
RHA-MINI.CABLE.BK	Safety Cable

Major Components and Controls

The following illustration shows the components and controls of a Single Head Bullet Luminaire. (These components are also typical of a Triple Head Bullet Luminaire.)

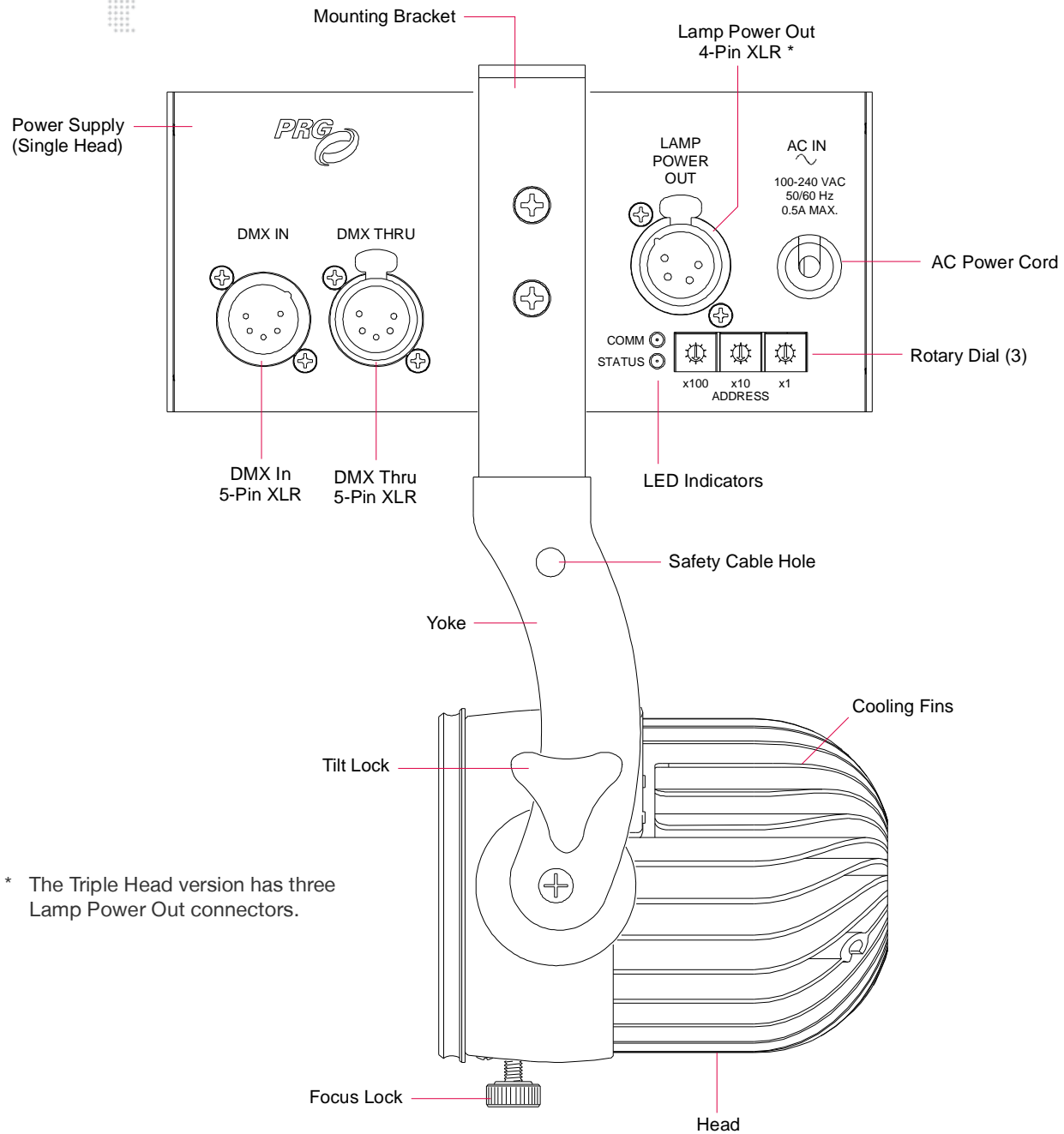


Figure 1: Bullet External Components and Controls

INSTALLATION

Unified Mounting

- Step 1. Attach pipe clamp or surface mounting device to large hole in Mounting Bracket. (The hole is 1/2 inch in diameter and will accommodate a maximum bolt size of 1/2 inch.)
- Step 2. Mount Luminaire and Power Supply to pipe or surface using clamp or mounting device (attached in previous step). Adjust Yoke and Head positions as desired. *CAUTION: Be sure cooling fins are not blocked!*
- Step 3. Attach Safety Cable as shown in Figure 2.



WARNING: A Safety Cable **MUST** be used for all hanging installations and may be required by local codes.

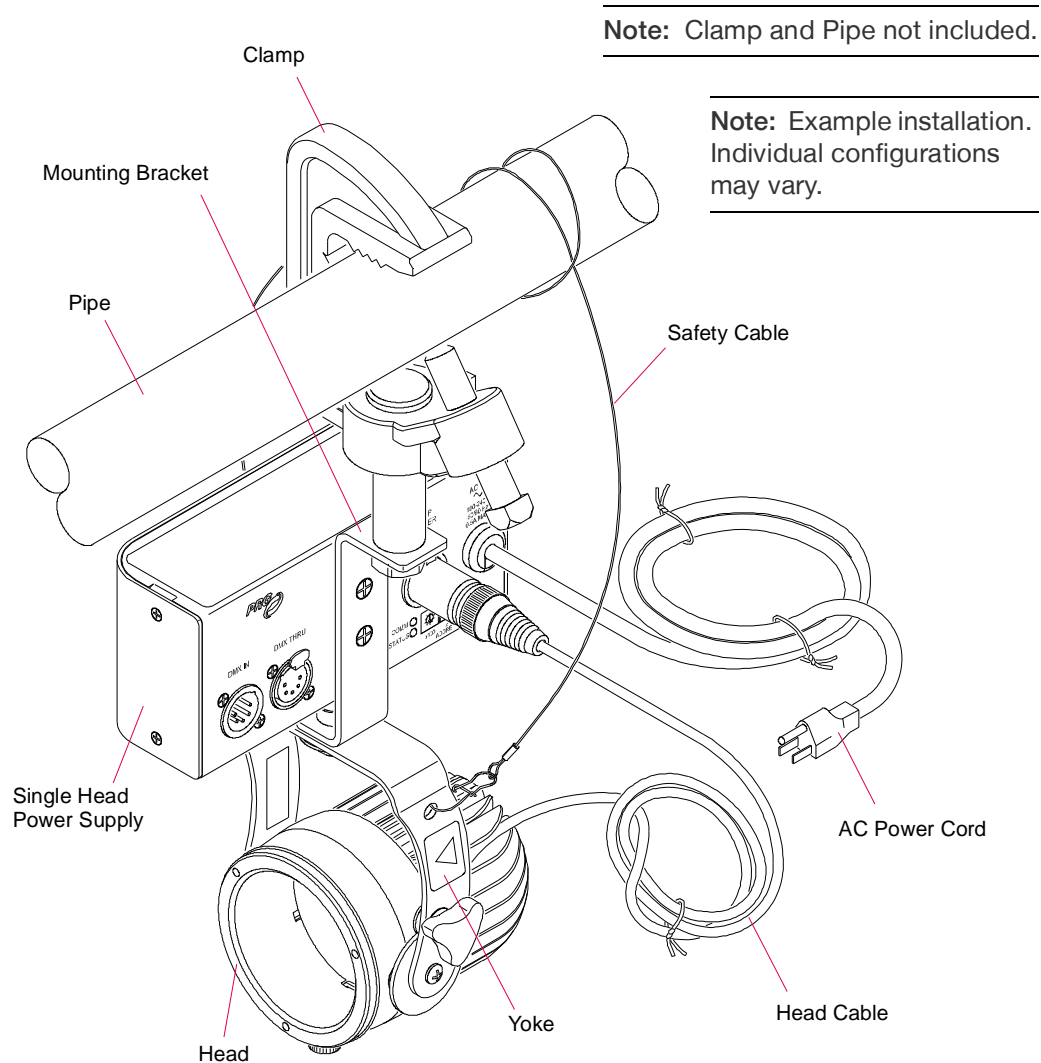


Figure 2: Unified Mounting Example

Split Mounting

- Step 1. Detach Head from Mounting Bracket by removing bolt. Unwrap or otherwise free Head Cable.
- Step 2. Attach pipe clamp or surface mounting device to large hole in Luminaire Yoke. (The hole is 0.4 inch in diameter and will accommodate a maximum bolt size of 3/8 inch.)
- Step 3. Mount Luminaire to pipe or surface using clamp or mounting device (attached in previous step). Adjust Yoke and Head positions as desired. *CAUTION: Be sure cooling fins are not blocked!*
- Step 4. Attach pipe clamp or surface mounting device to large hole in Mounting Bracket. (The hole is 1/2 inch in diameter and will accommodate a maximum bolt size of 1/2 inch.)
- Step 5. Mount Power Supply to pipe or surface using clamp or mounting device (attached in previous step).
- Step 6. Attach Safety Cable to both components as shown in **Figure 3**.



WARNING: A Safety Cable **MUST** be used for all hanging installations and may be required by local codes.

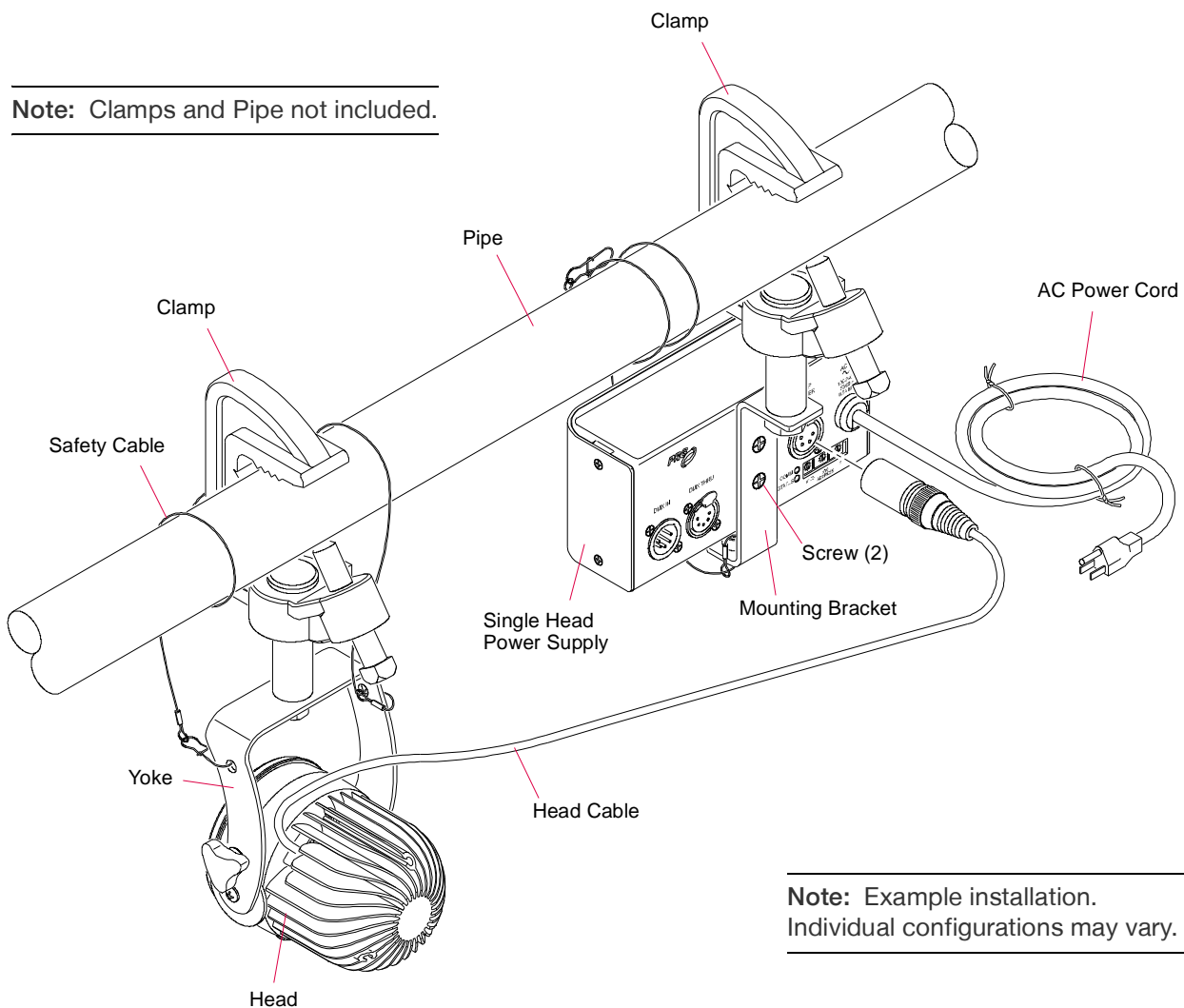


Figure 3: Split Mounting Example

Triple Head Mounting

The mounting procedures for the Triple Head Bullet Luminaire are similar to the Single Head mounting procedures detailed previously. The following illustration shows example Triple Head unified configurations:

Note: Clamp and Pipe not included.

Note: Safety Cable not shown.

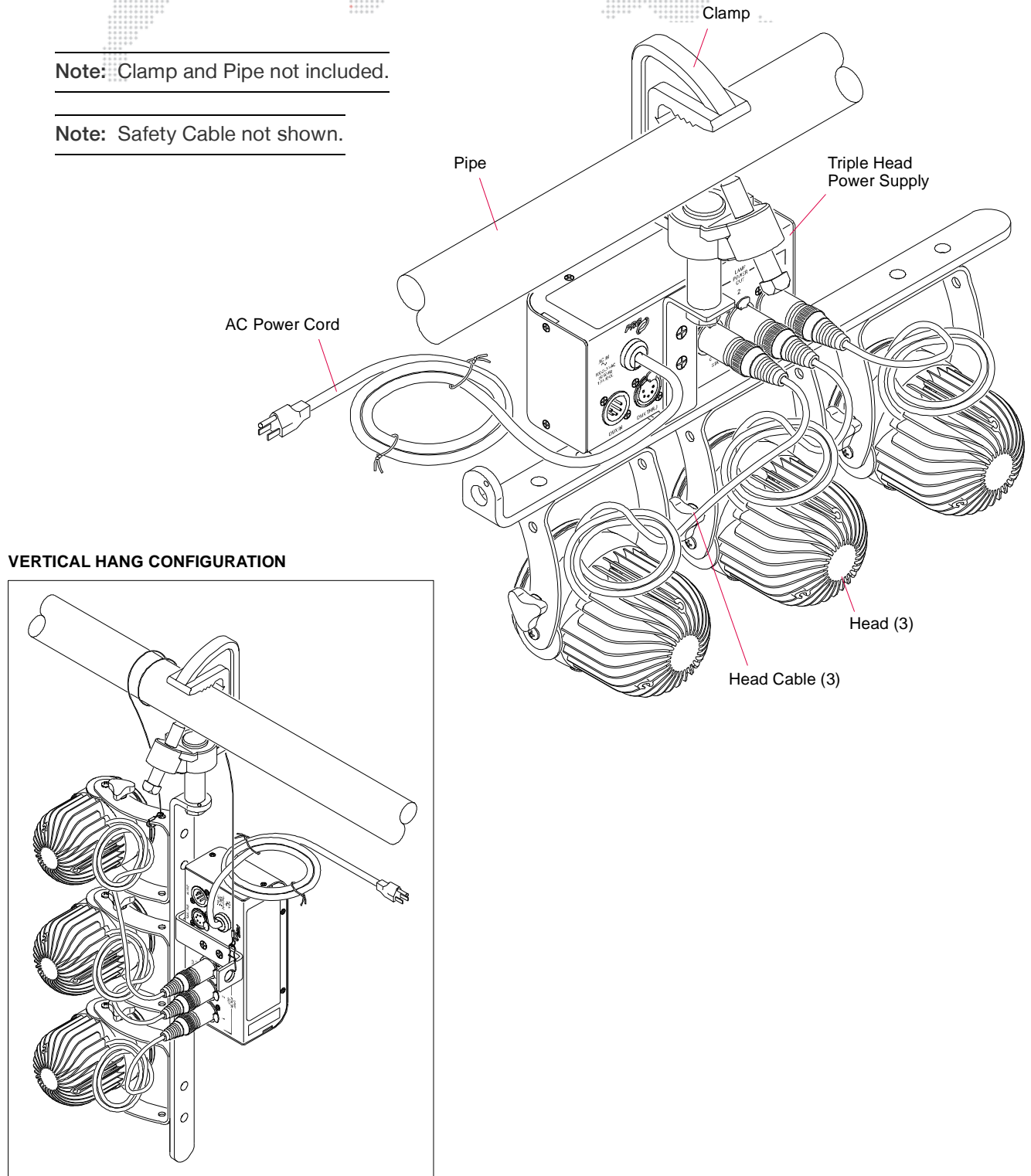


Figure 4: Triple Head Mounting Examples

Outdoor Installation

Bullet Luminaires can be installed in outdoor locations provided an outdoor power supply is used. (Refer to "Components and Accessories" on page 3.)

The following illustration shows an example outdoor configuration:



CAUTION: When using a Bullet outdoor power supply in an outdoor installation, always mount so that the cables are facing down to prevent moisture from entering the case.

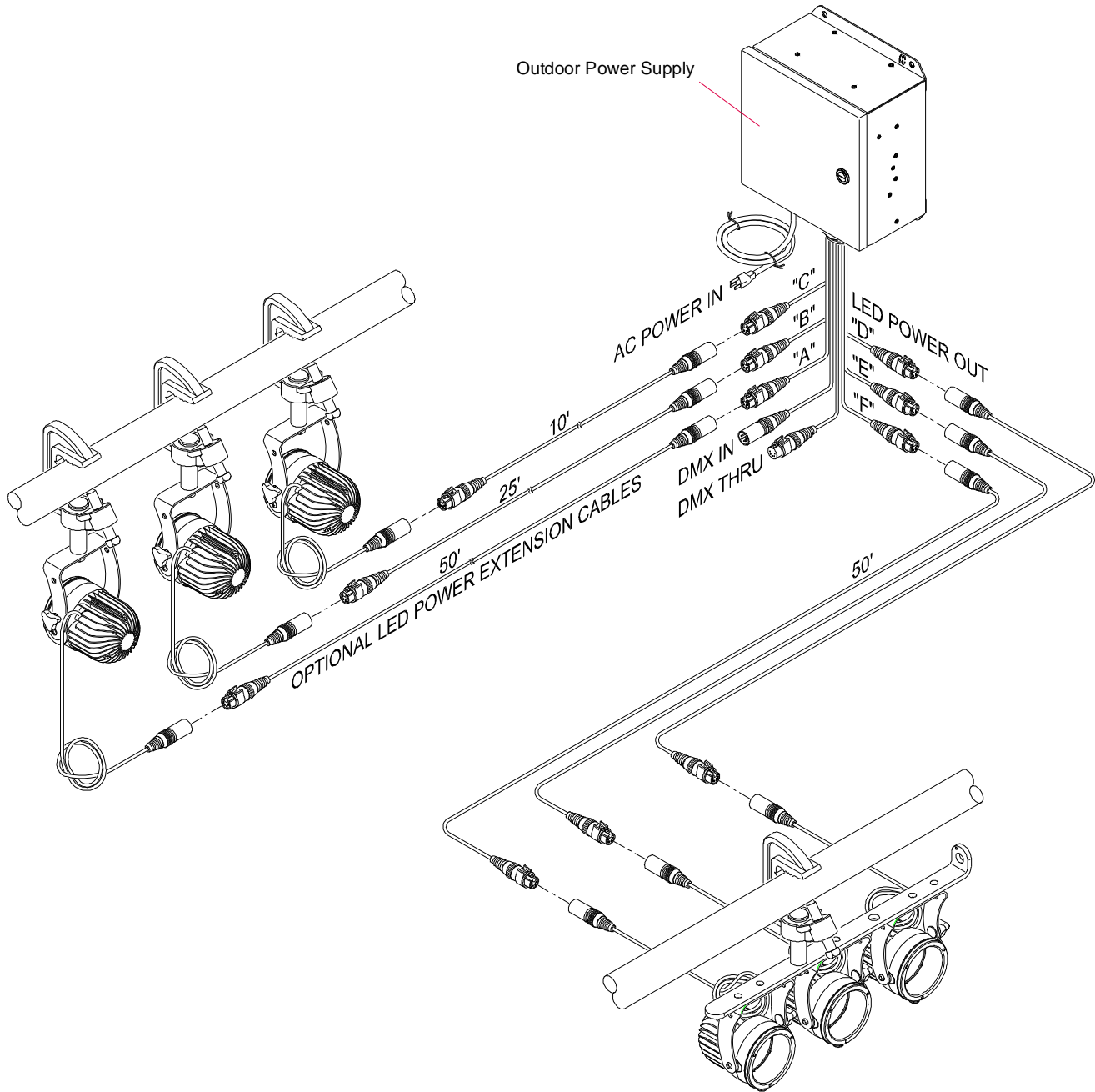


Figure 5: Outdoor Power Supply Configuration Example

Connecting Head Cables (Lamp Power)

Once the luminaire has been mounted, the Head Cable should be connected to the Lamp Power Out connector on the Power Supply.

- + In a unified configuration, the Head Cable should be plugged straight into the Power Supply.
- + In a split configuration, a 4-Pin XLR Extension Cable may be required. (Refer to "Components and Accessories" on page 3.)

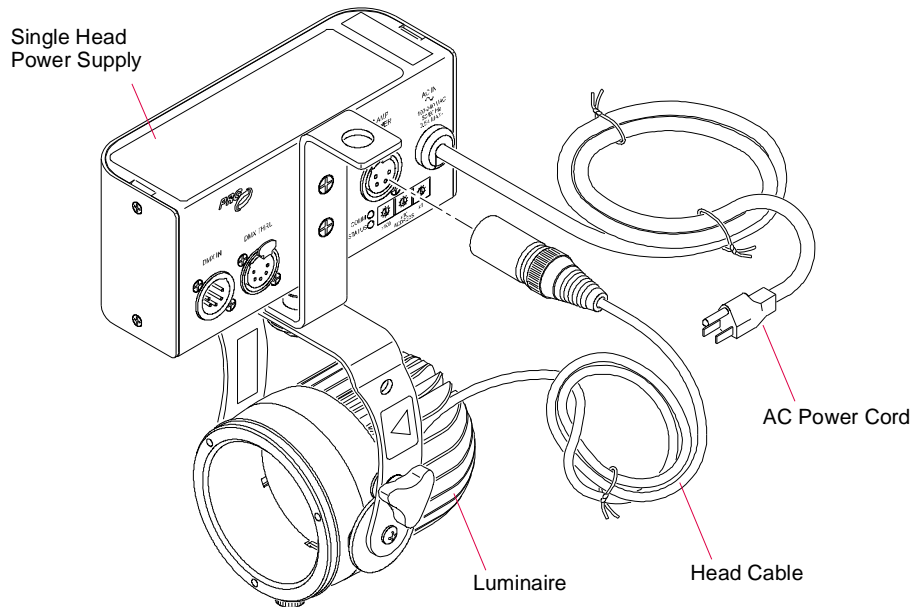


Figure 6: Connecting Head Cable to Power Supply - Single Head

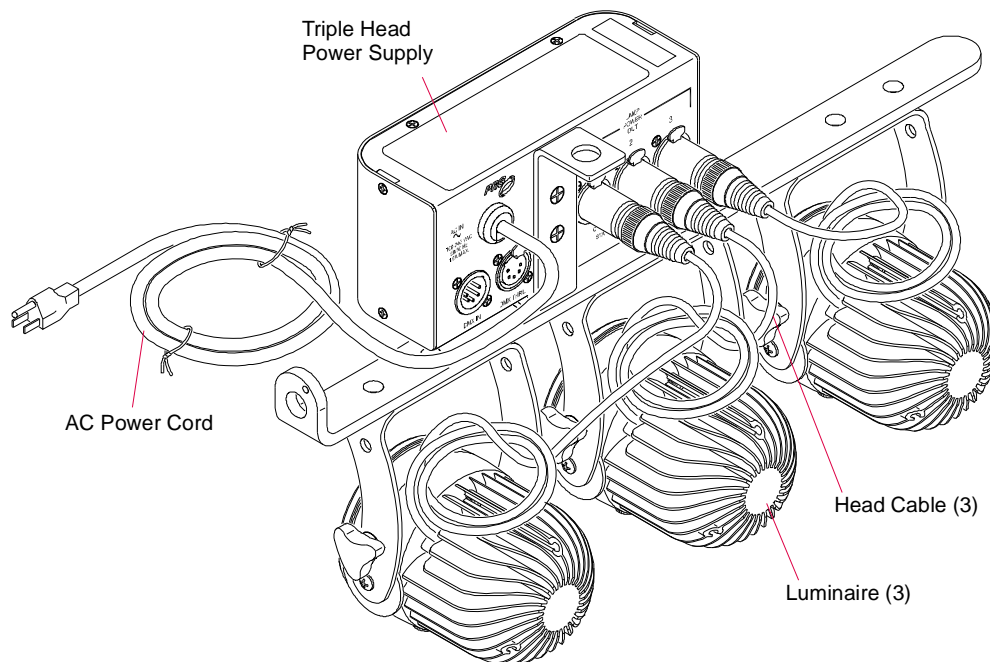


Figure 7: Connecting Head Cables to Power Supply - Triple Head

Connecting Data Cables

The Bullet Luminaire is designed for use with DMX-512A protocol. The associated Power Supply provides two standard 5-pin XLR connectors for DMX IN and DMX THRU (out) applications.

A maximum of **32** DMX devices may be connected in any one DMX512 data link. However, note that the maximum limit applies to the "daisy-chain" only. Your system or console may require fewer devices on a single data link path. Consult your console documentation for more information.

To connect data:

- Step 1. Connect DMX data cable from console to DMX IN connector at first Bullet Luminaire in chain (**Figure 8**).
- Step 2. If required, connect additional DMX data cables from DMX THRU connectors to DMX IN connectors of remaining Bullet Luminaires in chain.
- Step 3. At last Bullet Luminaire in chain, install male termination connector at DMX THRU connector. (Devices on the same DMX512 chain may not function properly without termination.)
- Step 4. Dress and secure all cables.

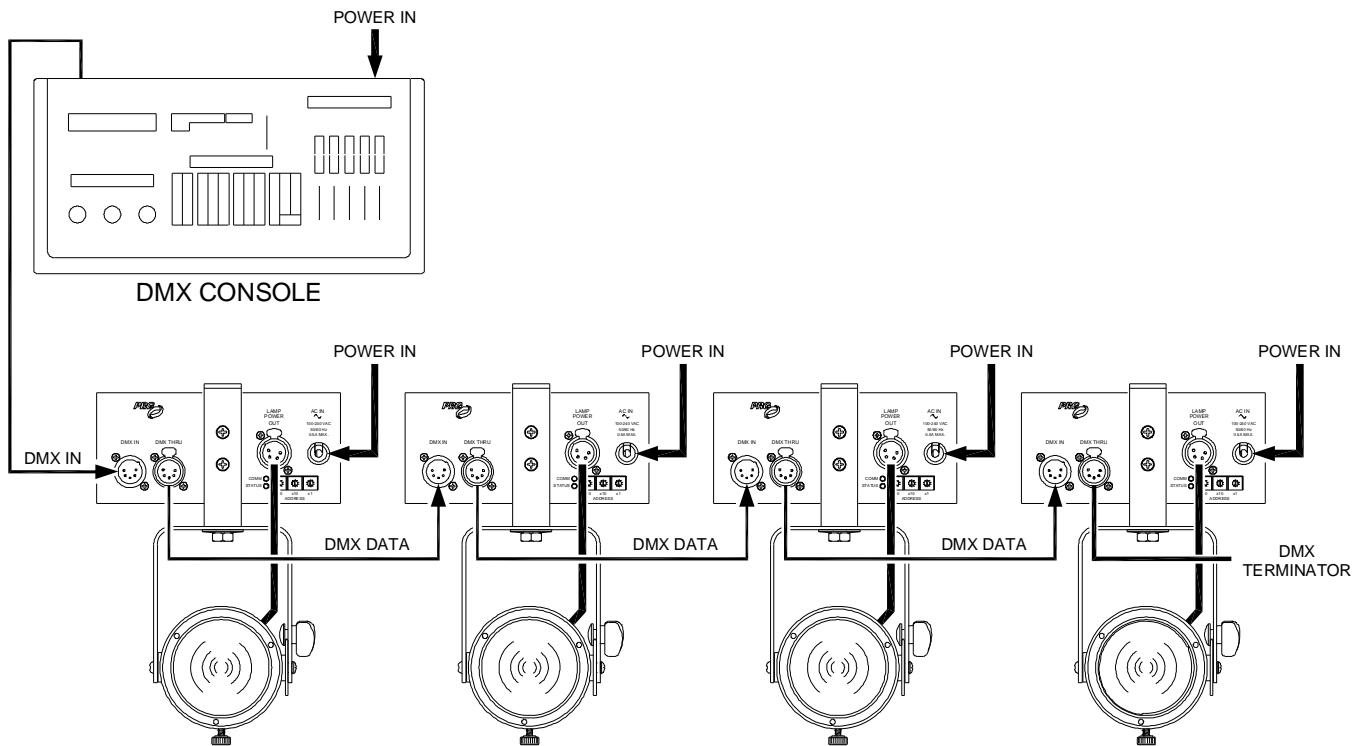


Figure 8: Daisy Chain Configuration

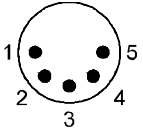
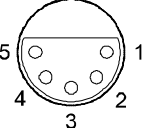
DMX512 Cables

DMX IN requires a 5-pin, female XLR connector and DMX THRU requires a 5-pin, male XLR connector. When purchasing or constructing data cables, it is important that not only the correct cable type be used, but also quality cable to ensure a reliable DMX512 system. Your cabling should meet the following USITT DMX specification requirements:

- + Suitable for use with EIA485 (RS485) operation at 250k baud.
- + Characteristic impedance 85-150 ohms, nominally 120 ohms.
- + Low capacitance.
- + One or two twisted pairs. (Two pairs is optional.)
- + Foil and braid shielded.
- + 24 AWG minimum gauge for runs up to 1000 feet (300m).
- + 22 AWG minimum gauge for runs up to 1640 feet (500m).

Note: Microphone cables and other general purpose, two-core audio or signal cables are not suitable for use.

The XLR 5-pin connectors should be wired as follows:

Pin/Wire Code to XLR Connectors						
DMX Thru Cable Pinout	Pin 1	Pin 2	Pin 3	Pin 4	Pin 5	DMX In Cable Pinout
	Foil & Braided Shield	1st conductor of 1st twisted pair	2nd conductor of 1st twisted pair	1st conductor of 2nd twisted pair	2nd conductor of 2nd twisted pair	
Male Conn		Data (-)	Data (+)	Data (-)	Data (+)	Female Conn

Note: Refer to the USITT DMX512-A Standards guide for additional information regarding DMX512 systems. See "[Additional Documentation](#)" on page 1.

Recommended Cable Types/Manufacturers

These are a few of the suitable cable types. Any quality EIA485, twisted pair, 120 ohm, shielded cable will also work.

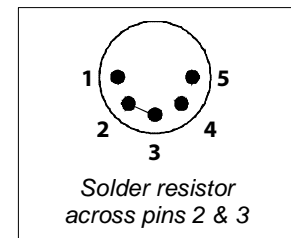
Type	Pairs	ZΩ*	Jacket	AWG	Use	Temp (F)
Belden Cables						
1215A	2	150	PVC	26	IBM Type 6 Office cable	75
1269A	2	100	PTFE	22 (Solid)	High Temp, Plenum cable	200
8102	2	100	PVC	24	UL2919	80
8132	2	120	PVC	28	UL2919	80
8162	2	100	PVC	24	UL2493	60
82729	2	100	PTFE	24	High Temp, Plenum cable	200
88102	2	100	PTFE	24	High Temp, Plenum cable	200
89696	2	100	PTFE	22	High Temp, Plenum cable	200
89729	2	100	PTFE	24	High Temp, Plenum cable	200
89855	2	100	PTFE	22	High Temp, Plenum cable	200
9729	2	100	PVC	24	UL2493	60
9804	2	100	PVC	28	UL2960	60
9829	2	100	PVC	24	UL2919	80
9842	2	120	PVC	24	UL2919	80
Proplex Cables						
PC224P	2	110	Polyurethane	22	Heavy Duty and Portable	105
PC224T	2	110	PVC	22	UL2464	105
PC226T	3	110	PVC	22	UL2464	

* Characteristic Impedance

DMX512 Male Termination Connector

A male XLR DMX512 termination connector is required at the last luminaire (or "far end of the line") to prevent signal reflections. Signal reflections may cancel out the signal at certain line lengths, resulting in errors. To construct your own connector, you will need the following components:

- + 5-pin, male XLR connector.
- + 120 ohm resistor.



POWER UP AND OPERATION

Power Up

Apply power to the Bullet Luminaire by plugging the Power Supply's power cord into an AC source. (The unit has no power on/off switch.)

LED Indicators

The Comm and Status LED indicators will be activated upon power up, whenever rotary dials are changed, when DMX signal is lost (after a 15 second delay to avoid short losses), when DMX signal is acquired, or upon over-temperature condition.

After activation, the LED indicators will remain active for 15 minutes unless otherwise described below. (The timer will be reset by repeated activation events.)

Table 1: LED Indications

Comm (Green) LED	Status (Orange) LED	Meaning
slow blink on/off	n/a	no incoming DMX
solid on	n/a	valid incoming DMX
n/a	rapid blink (3-4 times per second)	over-temperature condition
blink code	off / blink code	firmware version *

* Firmware version blink codes will only be shown when the rotary dials are set to a value of 530 (refer to "Standard Operating Modes" on page 14). The green Comm LED indicates the major version and the orange Status LED indicates the minor version (off for zero).

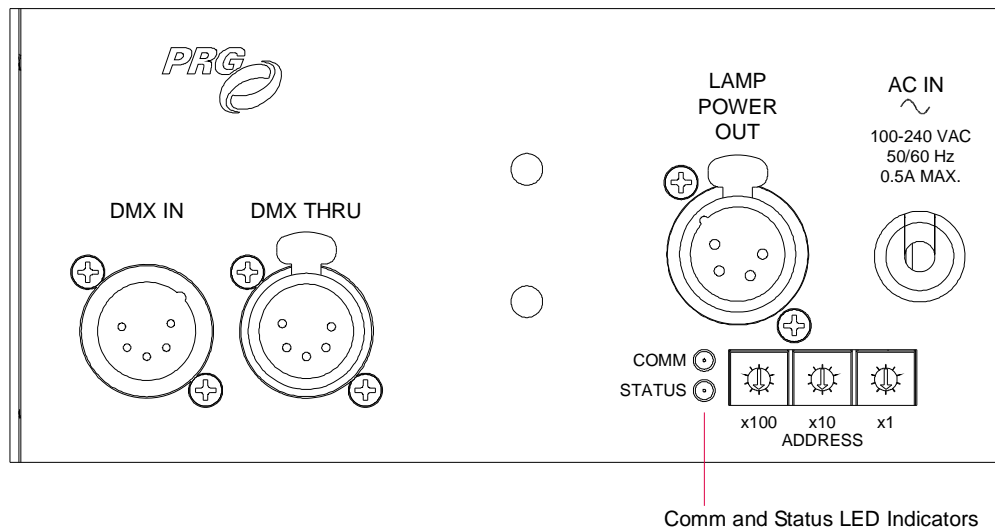


Figure 9: LED Indicators

Standard Operating Modes

The luminaire operating mode is set using the three rotary dials located on the Power Supply. The three dials represent the 100's digit, 10's digit, and 1's digit as marked. For example, to set the address to 512, set the x100 dial to [5], the x10 dial to [1], and the x1 dial to [2].

Note that on a Triple Head Power Supply, DMX channels are sequential for the 2nd and 3rd head attached.

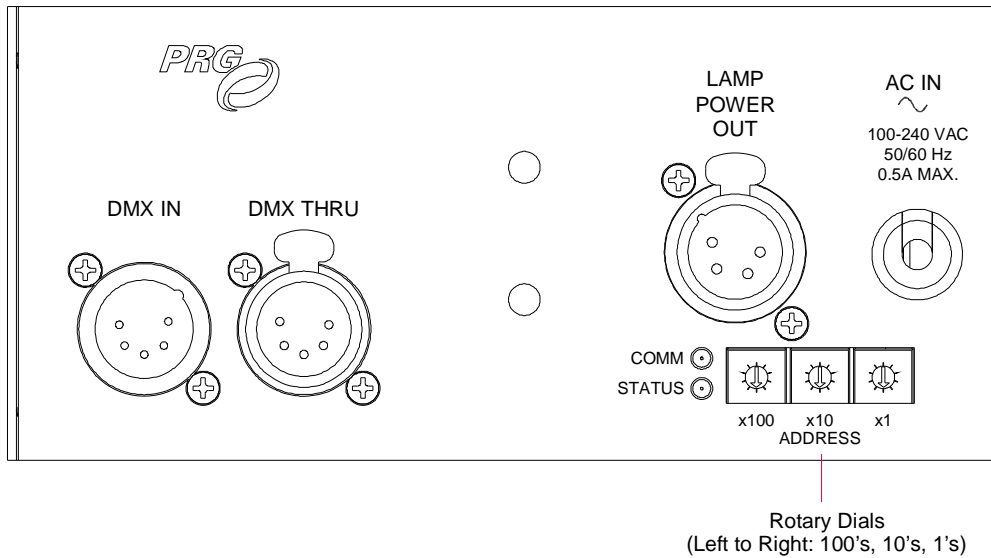


Figure 10: Rotary Dials

When the rotary dials are adjusted to a specific setting, the mode and behavior of the luminaire will change immediately.

Table 2: Rotary Dial Mode Settings

Setting	Function
000	Full on (100%)
001-512	DMX channel address
530	Read out firmware version on LED indicators (refer to "LED Indicators" on page 13)
550	Allow DMX address to be set via RDM *
600-700	Manual intensity, 0-100%
800-899	Manual strobe rate, slow to fast
900-999	Manual fade rate (pulse), slow to fast
other	Full off (0%)

* All RDM functionality except setting the DMX address is available regardless of thumbwheel value. Setting the thumbwheel to 550 also allows the DMX address of the fixture to be set remotely via RDM commands.

Exception Modes

In case of a DMX signal loss or over-temperature condition, the luminaire will respond as follows:

Table 3: Exception Modes

Condition		Response
DMX Fails	Valid DMX signal is lost while in DMX mode	Luminaire will hold last "look" and resume DMX commands when valid DMX data is received again. (Also see Blink function of the "LED Indicators" on page 13.) NOTE: Look will not hold through power loss.
Over Temp	Unit exceeds temperature limit	Output power is disabled until power is cycled or temperature falls below threshold. (Also see Rapid Blink function of the "LED Indicators" on page 13.)

RDM

The Bullet Luminaire supports basic RDM functionality per ANSI E1.20 (RDM-Remote Device Management over USITT DMX512 Networks) specification.

Focusing the Beam

To focus the luminaire, loosen the Focus Lock knob and rotate the front of the barrel to adjust the position of the lens. The more the barrel is extended, the more narrow the beam.

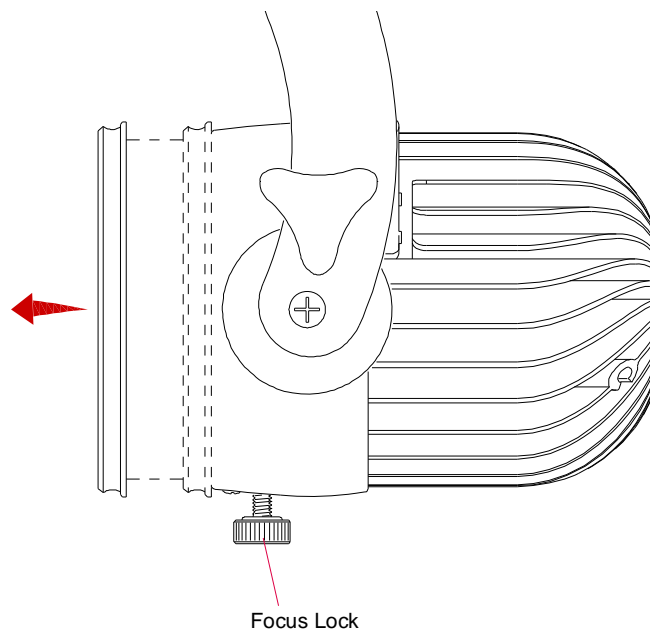


Figure 11: Focus Lock Knob



TECHNICAL SPECIFICATIONS

Bullet Series 2.0 LED Luminaire

- + High-Power 20-watt 3,000K LED emitter - White Light Bullet
- + High-Power 20-watt 5,000K LED emitter - Daylight Bullet
- + High-Power 14-watt 365nm LED emitter - UV Bullet
- + Adjustable focal range from narrow spot to wide flood
- + Proprietary focusing lens
- + LED lifetime rated at 50,000 hours for White Light & Daylight Bullets
- + LED lifetime rated at 30,000 hours for UV Bullet
- + 3' head cable with wet-rated, 4-pin XLR connector for quick connection to power supply
- + Compatible with DMX-512A - requires one DMX channel per head
- + Isolated 5-pin XLR DMX-In & DMX-Thru
- + Fully addressable via three rotary dials
- + Stand-alone functions include manual intensity, strobe, fade and full on
- + Utilizes electronic multi-voltage power supply 100-240VAC 50/60Hz
- + Bullet head can be remoted from DMX/power supply housing up to 50' via optional 4-pin extension cables
- + Multiple power supplies available for indoor or outdoor use
- + Bullet Series 2.0 head is rated for indoor/outdoor use
- + Weight:
 - Single Head: 1.75 lbs
 - Triple Head with Bar: 3.5 lbs
 - Single Head Power Supply: 2.0 lbs
 - Triple Head Power Supply: 2.2 lbs
 - 6-Way Outdoor Power Supply: 10.65 lbs

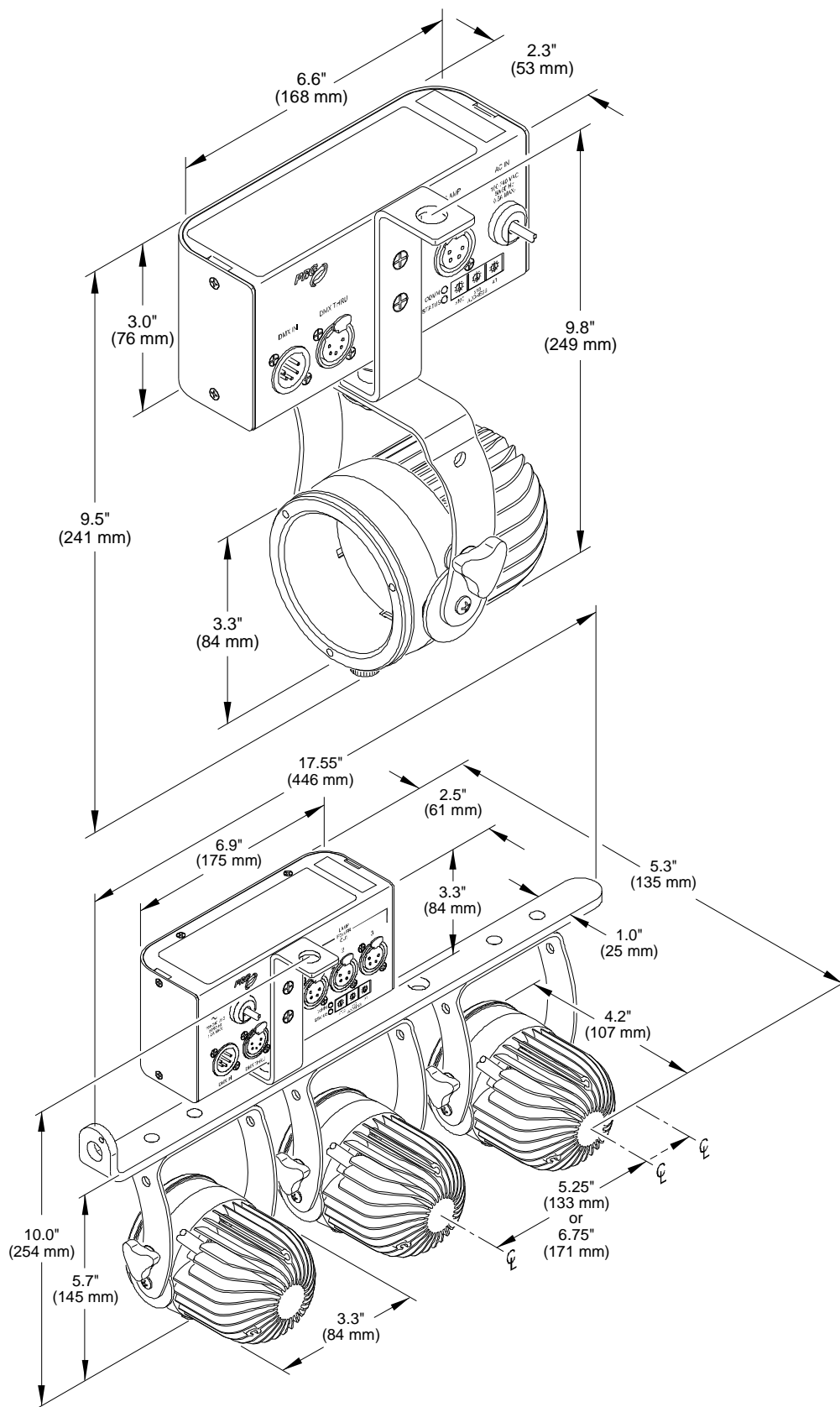


Figure 12: Dimensions



Notes



Bullet Series 2.0 LED Luminaire User Manual

Version as of: August 25, 2015

PRG part number: 02.9832.0001



Production Resource Group, LLC
PRG RH+A
539 Temple Hill Road
New Windsor, NY 12553-5533
www.prg.com