

PRG Screamer Platform

PRG's Screamer Platforms are built to provide a portable temporary stage platform solution.

Quality Assurance

Engineered for efficient and rapid deployment and is fully portable.

Product Details

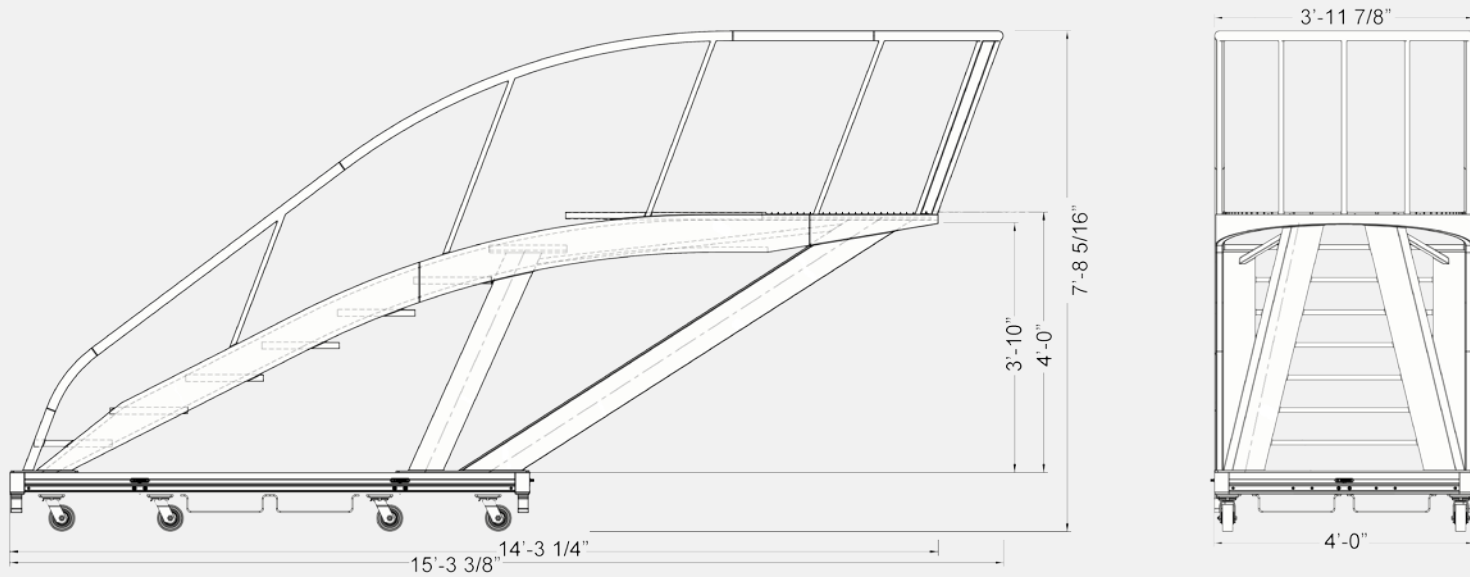
PRG's Screamer Platforms are lightweight aluminum temporary stair structures used for elevation above a general performance stage.

Designed to handle live loads, PRG's Screamer Platforms are ideal for all markets including concert touring and theatre.



Queen with Adam Lambert Tour 2014

PRG Screamer Platforms



Screamer Platforms

Width	Height	Length	Uniform Live Load (psf)	Uniform Live Load (lbs)	Concentrated Live Load @ Cantilever (lbs) **	Ecode
4'-0"	7'- 8 5/16"	15'-3 3/8"	50	2,600	400	2.953B1

*The load indicated above acts directly on the existing structure and/or grade. The capacity of the existing building structure and/or grade to support these new loads has not been verified by the PRG. It is the responsibility of the venue owner to ensure that the existing structure and/or grade can support the loads imposed on it by these systems.

** Concentrated live load at the end of the cantilever is not concurrent with the uniform live load.

PRG Screamer Platforms



PRG's Screamer Platforms offer flexibility, durability and portability. PRG Screamer Platforms are lightweight temporary stage platform units, designed to be used by performers as an elevated stage above the general performance area.

PRG's Screamer Platforms are ideal for all markets including concert touring, television and theatre. PRG Screamer Platforms are designed to travel as individual, assembled units. Casters and fork pockets allow for easy placement of units onto a specially designed, counterweighted custom deck platform.

Features

Quick and Easy Installation

- Lightweight welded aluminum stair frame
- Travels as complete unit
- Fast setup with Minimal Crew
- Supporting deck platform with counterweight available

©2015 PRODUCTION RESOURCE GROUP, LLC. ALL RIGHTS RESERVED.
SPECIFICATIONS ARE SUBJECT TO CHANGE
WWW.PRG.COM