



GroundControl LongThrow™ Luminaire

The GroundControl LongThrow™ (GCLT) Luminaire is a precision engineered automated luminaire; built from the ground up for high output and long throw followspot applications. At a throw distance of 350' the GCLT outputs 200 foot-candles with a stunning ultra flat field.

The most advanced automated followspot available, the GCLT is purpose-built to be the ultimate designer's tool with a feature set that includes both shutters and an iris along with unmatched optical clarity. With a beam size iris that works hand in hand with an ultra narrow 2° to 6° zoom, framing shutters, and variable frost, the GCLT offers the maximum beam versatility in a single automated fixture.

The GCLT produces an even, clean white beam with no green tint and no hot spots. GCLT's CMY color-mixing system offers strong saturated colors as well as a wide array of tints and lighter hues; a dedicated color wheel loaded with 5 discrete and incremental minus green color filters. The fully variable CTO wheel lets designers take the color temperature of the GCLT from its native 5600K down to 3200K.

Built-In HD Camera

A High Definition camera is mounted on the fixture that outputs HD-SDI at 1080p enabling the spot operator on the ground to see the stage as if he or she was sitting right next to the fixture. The onboard camera has an optical zoom, targeting reticle, and a night vision mode that enables operators to pick up a performer on a virtually black stage.

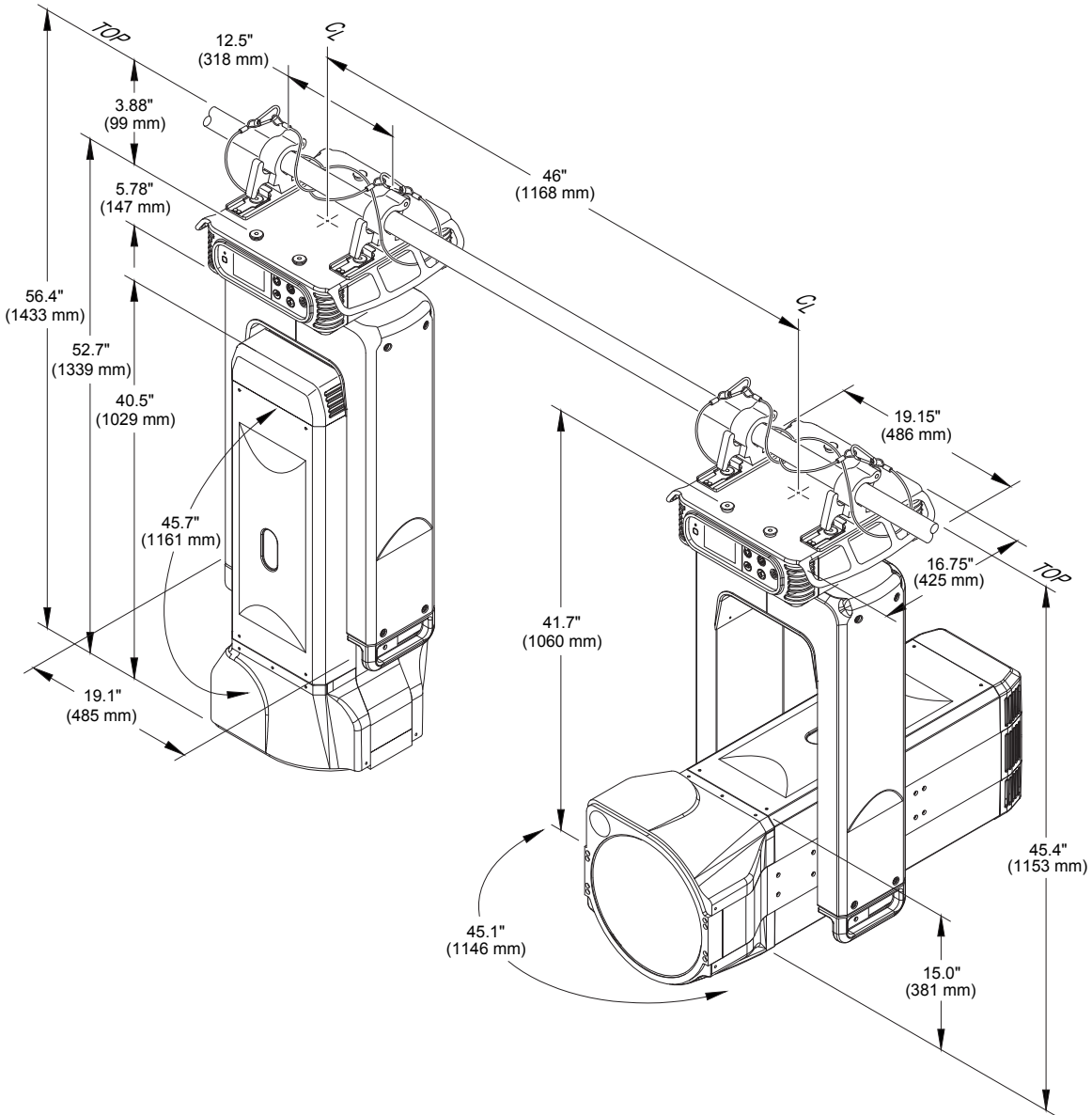


Features

SOURCE:	OSRAM HTI 1500W Lamp
OUTPUT:	200fc at 350'
POWER DRAW:	12.5A at 208V, 10.75A at 240V. Auto-sensing voltage input range is 170V-270V 50/60HZ. Power factor >0.95
REFLECTOR:	Precision glass reflector with dichroic cold mirror coating.
INTENSITY:	Full-field dimming from 0 to 100% with accurate slow-speed control and fast bumps.
STROBE:	Lightning fast strobe system.
ZOOM RANGE:	3:1 from narrow spot of 2° to wide flood of 6°.
EDGE CONTROL:	Two (2) groups of lenses — each independently controlled for accuracy.
BEAM SIZE IRIS:	A 16 blade mechanical iris provides continuous beam size control for both rapid changes and smooth timed beam angle changes.
FRAMING:	Four-blade framing system features four, independent blades mounted in two planes. Each blade can be tilted +/- 30° and the entire frame system can be rotated +/- 60° for a total travel of 120°.
FROST:	Variable frost for smooth diffusion.
COLOR MIXING:	CMY color system featuring three (3) cross fading color wheels of Cyan, Magenta and Yellow.
COLOR CORRECTION:	Variable color temperature wheel, range from 5600K down to 3200K. Also includes one (1) minus green wheel with five (5) discrete user-changeable minus green color filters.
ROTATING GOBO:	One (1) indexable, rotating gobo wheel with four (4) gobos. Gobos are individually calibrated so the unit will automatically index the orientation of each gobo regardless of placement.
OPERATING TEMP:	32° to 120°F (0° to 49°C)
CONTROL:	Compatible with a wide variety of DMX512, Art-Net, and sACN consoles.
ON-BOARD CONTROL:	Built-in LCD display with touchscreen menu system. On-board battery power allows for the fixture address and configurations to be set without having to apply AC power to the luminaire
PAN & TILT RANGE:	Pan - 540°, Tilt - 260°
DMX:	49 Channels

GroundControl LongThrow™ Luminaire Specifications

Dimensions



POSITIONING:
Can be mounted in any orientation.

SPACING:
Hangs on 46 inch (1168 mm)
centers.

WEIGHT:
200 lbs (91 kg) without hooks

LONGTHROW™ IS A
TRADEMARK OF PRODUCTION
RESOURCE GROUP, L.L.C.