

PRG

Carts & Dollies

PRG's Carts and Dollies are flexible and designed to move staging components quickly and easily.

Quality Assurance

Engineered for safe and efficient transportation of scenery and equipment for a wide range of applications.

Product Options

PRG's Carts and Dollies are available for a variety of different applications and are designed to handle many different components of a staging system. PRG's Carts and Dollies are ideal for all markets including concert touring, corporate events, television and theatre.



Kevin Hart Tour 2015

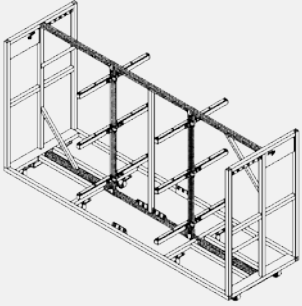


PRG Leg Carts



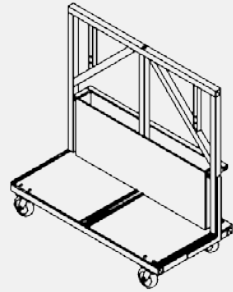
PRG Railing Carts

PRG Carts & Dollies



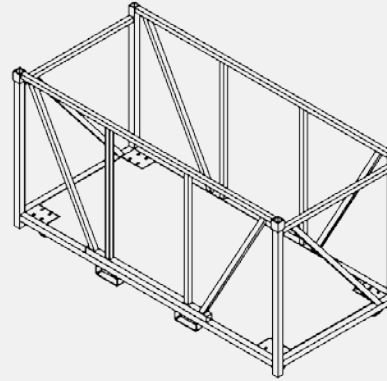
Curved Truss Cart

Length	Width	Height	Ecode
8'-0"	3'-9"	6'-6"	
10'-0"	3'-9"	6'-6"	2.74428
12'-0"	3'-9"	6'-6"	2.74429
14'-0"	3'-9"	6'-6"	



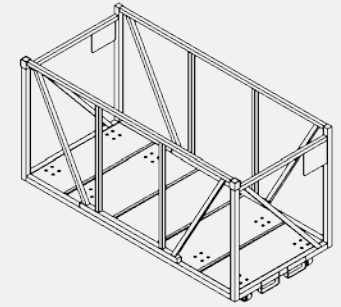
Ballroom Cart

Length	Width	Height	Ecode
4'-9"	2'-5"	5'-2"	2.90531-910



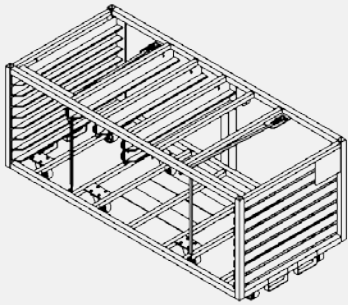
Platform Storage Cart – SC-90

Length	Width	Height	Ecode
4'-9"	2'-5"	5'-2"	



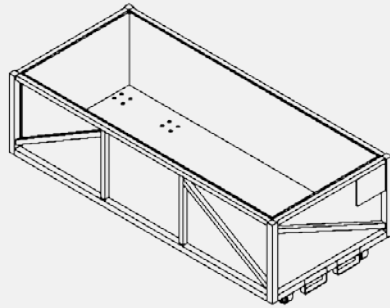
Rolling Stage Platform Cart

Length	Width	Height	Ecode
8'-5"	3'-10"	4'-5 7/8"	2.90503



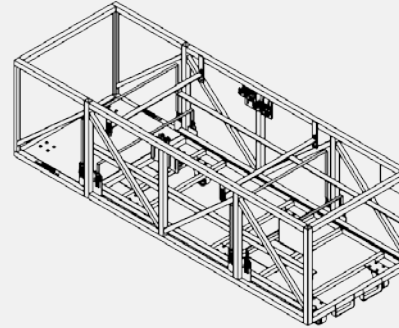
Rolling Stage Railing Cart

Length	Width	Height	Ecode
8'-4 1/2"	3'-9 3/4"	3'-6 1/2"	2.90879



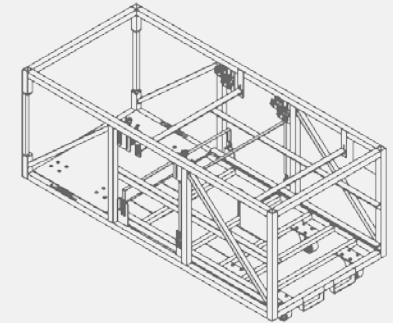
Rolling Stage Supply Cart

Length	Width	Height	Ecode
8'4 1/2"	3'-9 3/4"	2'-7 3/8"	



Rolling Stage Stair Cart Long

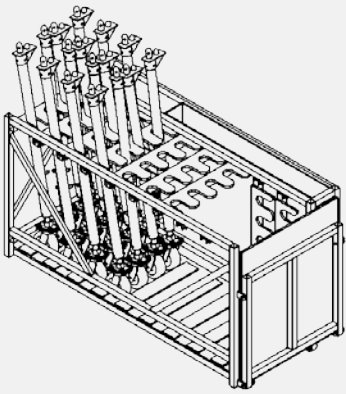
Length	Width	Height	Ecode
11'-10"	3'-9 3/4"	3'-6 11/16"	2.90531



Rolling Stage Stair Cart Short

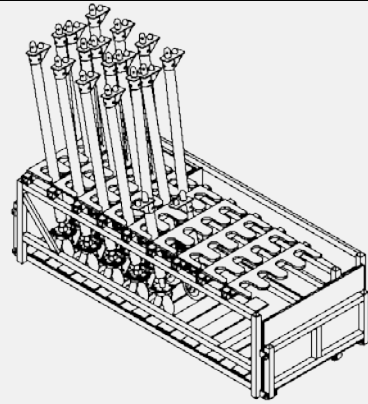
Length	Width	Height	Ecode
8'-4 1/2"	3'-9 3/4"	3'-6 11/16"	

PRG Carts & Dollies



Rolling Stage Leg Cart

Length	Width	Height	Ecode
8'-3 1/4"	3'-8"	4'-7 9/16"	2.90531



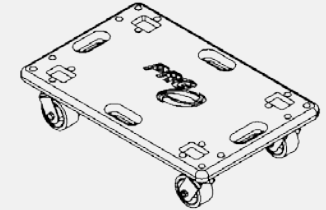
Rolling Stage Leg Cart Dbl Doors

Length	Width	Height	Ecode
8'-1 1/2"	3'-7 15/16"	2'-9 9/16"	2.90531



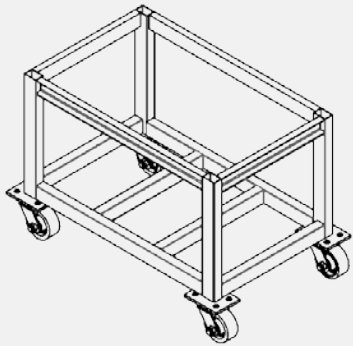
CT Truss Dolly

Length	Width	Height	Ecode
2'-8"	1'-4"	9.25"	2.9655H



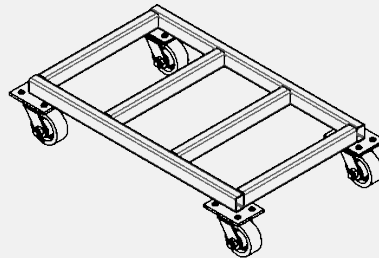
Plywood Shop Dolly

Length	Width	Height	Ecode
2'-5"	1'-7"	7-1/8"	2.7330H



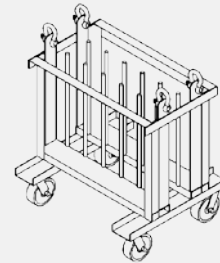
Steel Shop Dolly - High Boy

Length	Width	Height	Ecode
4'-5"	2'-10"	2'-10"	



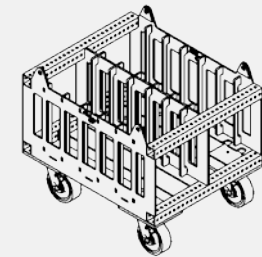
Steel Shop Dolly - Low Boy

Length	Width	Height	Ecode
4'-5"	2'-10"	11"	



Counterweight Dolly

Length	Width	Height	Ecode
2'-8 3/4"	2'-4"	3'-1"	2.9A904



Chitty Counterweight Dolly

Length	Width	Height	Ecode
2'-7"	2'-1 3/8"	4'-4"	

PRG Carts & Dollies



PRG's Carts and Dollies offer a variety of moving solutions for many types of staging components. Fabricated with their standard heavy duty casters, PRG's Carts and Dollies are ideal for all markets including concert touring, corporate events, television and theatre.

Features

- High quality steel construction
- Heavy duty swivel casters
- Available in a wide variety of configurations
- Fork Pockets

©2015 PRODUCTION RESOURCE GROUP, LLC. ALL RIGHTS RESERVED.
SPECIFICATIONS ARE SUBJECT TO CHANGE
WWW.PRG.COM