

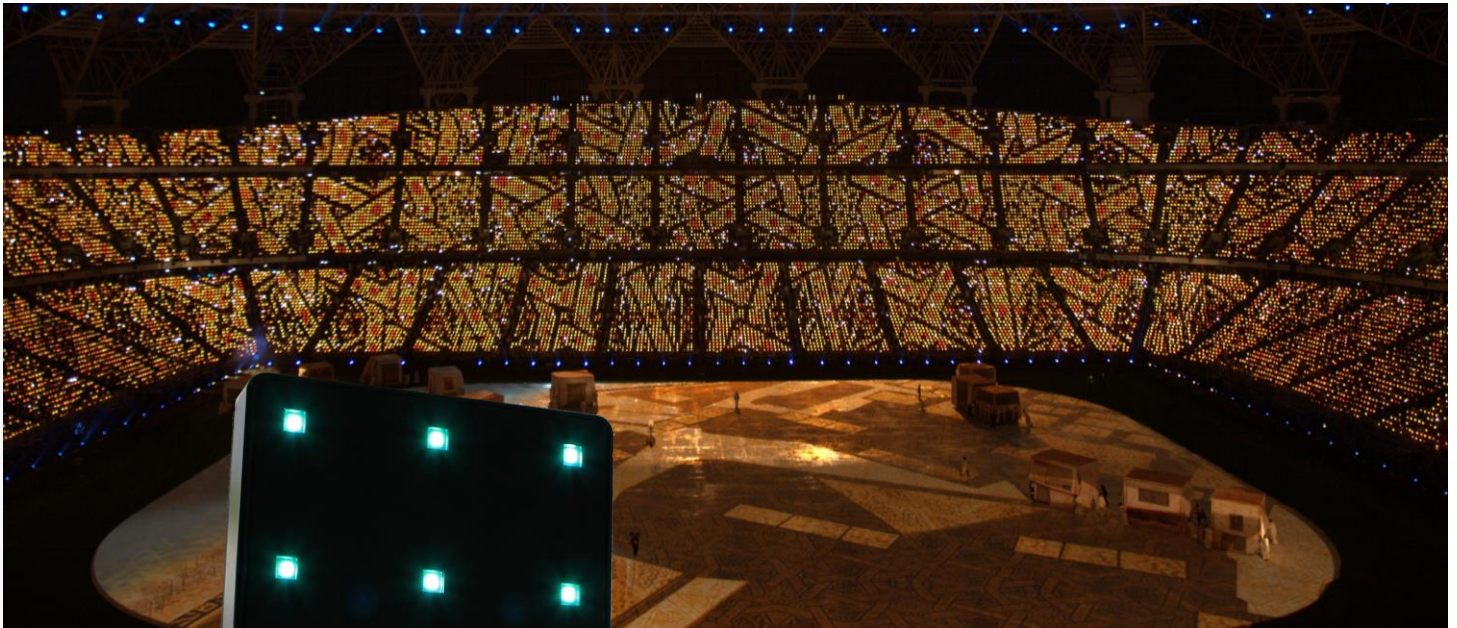
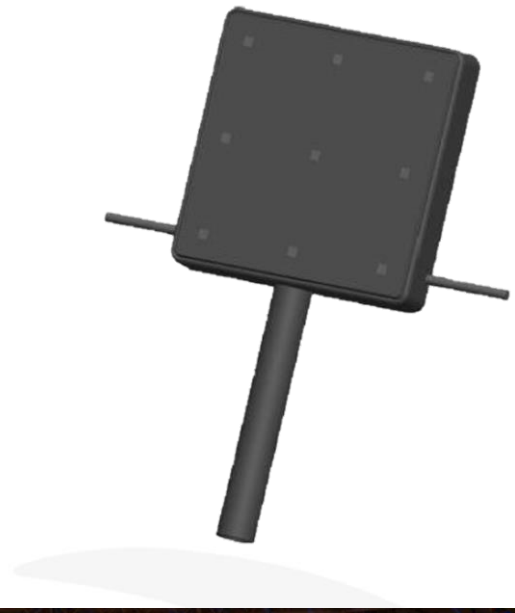
Pixel Tablets – The landscape video solution

Pixel Tablets are an innovating product, developed and manufactured by PRG Projects, in order to create large scale landscape video solutions for venues and stadiums.

Originally designed for the London 2012 Olympic Games, these tablets offer a unique show element, turning a venue seating into a large video surface.

The Pixel Tablets are flexible and can be implemented in any spectator area of a venue.

For more information or to showcase the Pixel Tablets in your next event, please contact your PRG Account Manager.



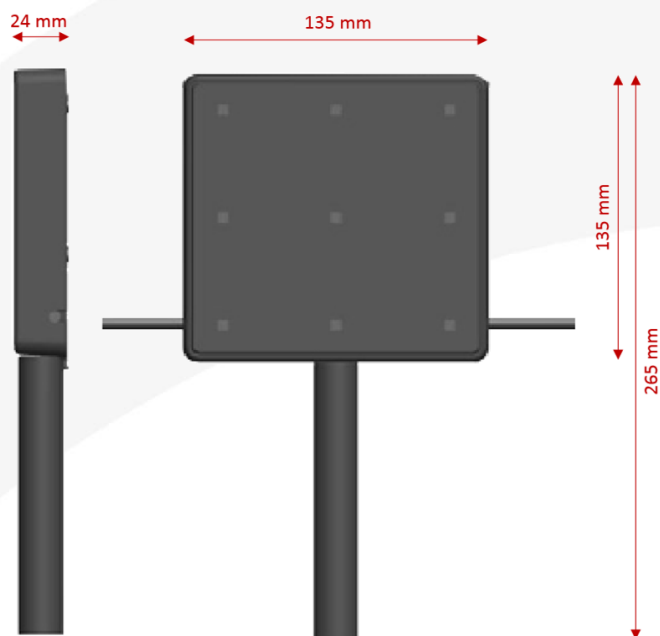
The tablets are designed for installation between the seats of the spectators and consequently create a landscape video effect when placed in their holders.

If you wish to create crowd involvement and enhance the spectators experience, the Pixel Tablets can also be hand-held, which makes them flexible and user-friendly. One cable can connect to up to 28 tablets in a row.

PRG Projects
A Division of Production Resource Group LLC
Phone +32 (0) 59 33 98 50

<http://projects.prg.com>

Pixel Tablets – The landscape video solution



Features

PIXEL TABLETS – Technical Details

DIMENSIONS: 265 x 135 x 24 mm
135 x 135 x 24 mm (without handle)

PITCH: 50 mm
9 individually addressable pixels

STRING: Up to 28 tablets in 1 string

CONTROL GEAR
Barco FLX platform

MEDIA SERVER
AI Server

Rental / Selling prices upon request

PRG Projects
A Division of Production Resource Group LLC
Phone +32 (0) 59 33 98 50

<http://projects.prg.com>