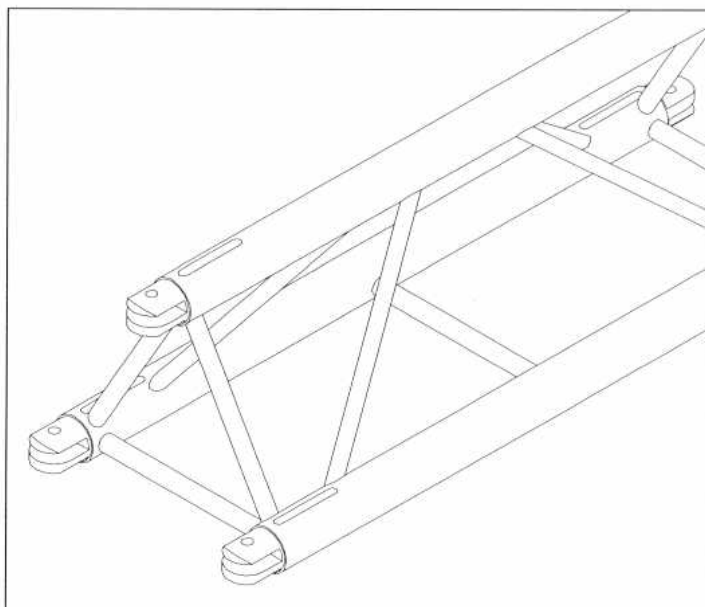


Superlite truss



LOADING FIGURES show maximum loads between supports in addition to self weight of truss. Information extracted from structural report by The Broadhurst Partnership for truss manufactured after June 1994

Loading figures for 30.5cm Superlite truss

SPAN		UNIFORMLY DISTRIBUTED LOAD			CENTRE POINT LOAD		SELF WEIGHT	
METRES	FEET	KG	LB	DEFLECTION	KG	LB	KG	LB
12	39.4	135	298	74.5mm	68	150	48	106
10	32.8	252	556	62mm	126	278	40	88
8	26.2	456	1,005	50mm	228	503	32	70
6	19.7	743	1,638	32mm	372	820	24	53
4	13.1	1,151	2,537	14mm	576	1,270	16	35
2	6.5	1,993	4,394	3mm	997	2,198	8	17

Loading figures for 40cm Superlite truss

		UNIFORMLY DISTRIBUTED LOAD			CENTRE POINT LOAD		SELF WEIGHT	
METRES	FEET	KG	LB	DEFLECTION	KG	LB	KG	LB
16	52.5	242	533	100mm	121	267	76	167
14	45.9	325	716	79mm	163	359	66.5	147
12	39.4	410	904	57.5mm	205	452	57	126
10	32.8	524	1,155	40mm	262	578	47.5	105
8	26.2	687	1,515	25.5mm	344	758	38	84
6	19.7	950	2,094	14mm	475	1,047	28.5	63
4	13.1	1,181	2,604	5mm	591	1,303	19	42
2	6.5	1,196	2,637	0.5mm	598	1,318	9.5	21