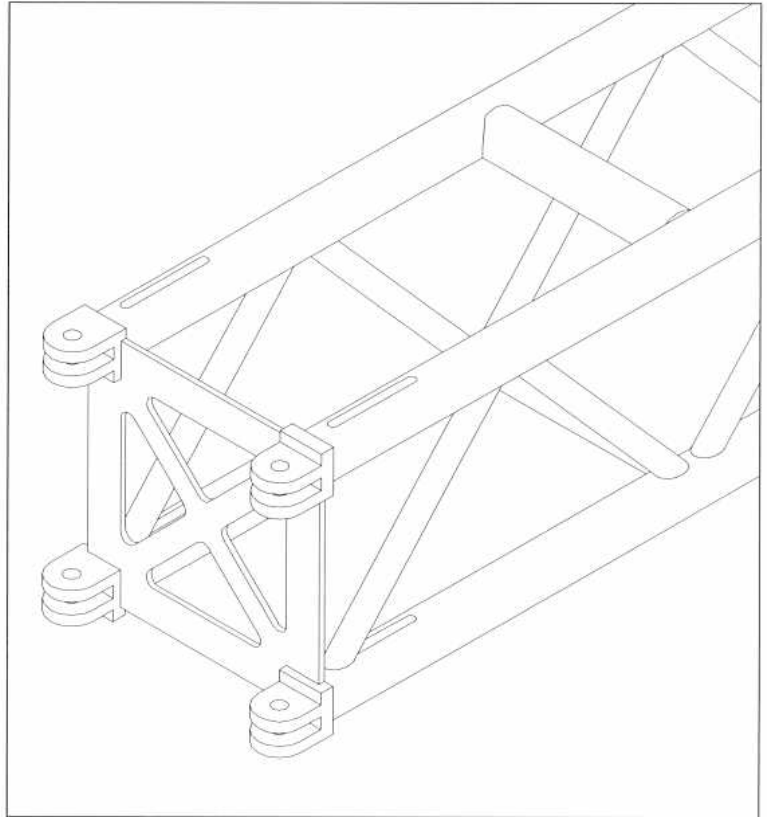


# 30.5cm Supertruss

A revolutionary truss designed to offer all the advantages of the Thomas 52cm Supertruss but in 30.5cm square format. 30.5cm Supertruss provides a substantial increase in loadbearing capacity over the General Purpose 30.5cm truss and can span to a maximum of 15 metres between supports. This truss is ideal for exhibition, conference and general rigging jobs.

PRODUCT CODE	DESCRIPTION	WT kgs
B1260	6 metre Section	55
B1250	5 metre Section	46.5
B1240	4 metre Section	38
B1230	3 metre Section	29.5
B1225	2.5 metre Section	25
B1220	2 metre Section	20.5
B1215	1.5 metre Section	16
B1210	1 metre Section	11.5
B1205	0.5 metre Section	7.5
B1200A	60 Degree corner gate	6.25
B1201	90 Degree corner gate	3.5
B1203	135 Degree corner gate	2
B1204A	3 Way / 120° gate	2.75
B1204B	3 Way gate with lifting point	3.5
B1208	Square support plate	1.75
B1211	30.5cm Supertruss to 30.5cm GP truss adaptor	3
G6671A	30.5cm Supertruss pin extraction tool.	3



SPAN		UNIFORMLY DISTRIBUTED LOAD			CENTRE POINT LOAD		SELF WEIGHT	
METRES	FEET	KG	LB	DEFLECTION	KG	LB	KG	LB
15	49.21	412	908	94mm	206	454	150	331
13.5	42.29	561	1,237	84mm	281	619	135	298
12	39.37	770	1,697	75mm	385	849	120	265
10.5	34.45	1,060	2,337	66mm	530	1,168	105	231
9	25.53	1,505	3,318	56mm	753	1,660	90	198
7.5	24.61	2,223	4,901	47mm	1,111	2,449	75	165
6	19.69	3,128	6,896	33mm	1,564	3,448	60	132
4.5	14.76	4,221	9,306	19mm	2,111	4,654	45	99
3	9.84	4,239	149,698	6mm	2,120	4,674	30	66

LOADING FIGURES show maximum loads between supports in addition to self weight of truss. Information extracted from structural report by The Broadhurst Partnership for Supertruss manufactured after November 1993

