

White Light Bullet

Fixture Type: _____

The White Light Bullet, a focusable white light LED luminaire, addresses the needs of lighting designers and specifiers who require a small, lightweight spotlight. This refined luminaire offers a high output of over 2,200 lumens with tool-free versatility to allow for precise control in a range of architectural and entertainment applications.

The full featured White Light Bullet produces a powerful output housed in a discreet, compact form factor, which is important for architectural and retail environments as well as themed environments. This focusable luminaire uses a high output, long life 3,000K white LED module for wash and spot lighting applications. The WL Bullet dims smoothly over the whole output range and draws only 24-watts.

A key feature of this spot luminaire is a uniquely designed zoom system – from a narrow 18° spot to an extra wide 60° flood. The easily adjustable focus mechanism requires no change of lens, no tools, and is lockable for permanent installations. The White Light Bullet allows designers the control and flexibility to highlight with pinpoint accuracy.

The luminaire is supplied with an electronic multi-voltage power supply and a DMX-512A interface with feed-thru capabilities via two RJ45 ports. DMX addressing and pre-programmed onboard options including strobe, fade, and manual dimming are assigned via three onboard rotary dials. The DMX/Power Supply housing can be remotely mounted from the WL Bullet unit to accommodate any installation environment. Optional 4-pin XLR connectors can be specified that allows for quick disconnection as well as extension of up to 20-feet with standard 4-pin cable.

A range of accessories is available for the White Light Bullet including an accessory holder/color frame, barndoor, snoot, and holographic linear spread diffusion. A projection accessory is also available for attachment to the front barrel that allows for projection of steel, glass, and printed gobo images and textures. A range of mounting options is available including a variety of clamps, as well as a table/floor base. The White Light Bullet luminaire meets the rigorous standards for electrical safety and include ETL, cETL, and CE.



Features

- HIGH-POWER 24-WATT 3,000K WHITE LIGHT LED EMITTER
- LUMEN OUTPUT 2,200 LUMENS
- FOCAL RANGE FROM 18° TO 60°
- PROPRIETARY FOCUSING LENS
- LED LIFETIME RATED AT 50,000 HOURS
- COMPATIBLE WITH DMX-512A - REQUIRES ONE DMX CHANNEL PER FIXTURE
- FEED THRU DMX VIA RJ45 CONNECTORS
- FULLY ADDRESSABLE VIA THREE ROTARY DIALS
- STAND-ALONE FUNCTION INCLUDES MANUAL DIMMING, STROBE, FADE AND FULL ON
- UTILIZES ELECTRONIC MULTI-VOLTAGE DRIVER 90-240VAC 50/60HZ
- WL BULLET HEAD CAN BE REMOTE MOUNTED FROM DMX/POWER SUPPLY HOUSING
- PATENT PENDING

White Light Bullet Specifications

LIGHT SOURCE: 3,000K WARM WHITE LED ARRAY STANDARD
 *2700K & 5000K ALSO AVAILABLE AS SPECIAL ORDER. CONTACT RH+A

VOLTAGE: 90-240VAC 50/60HZ

MOUNTING: 3/8" THROUGH HOLE ON UNIT OR DMX/POWER SUPPLY

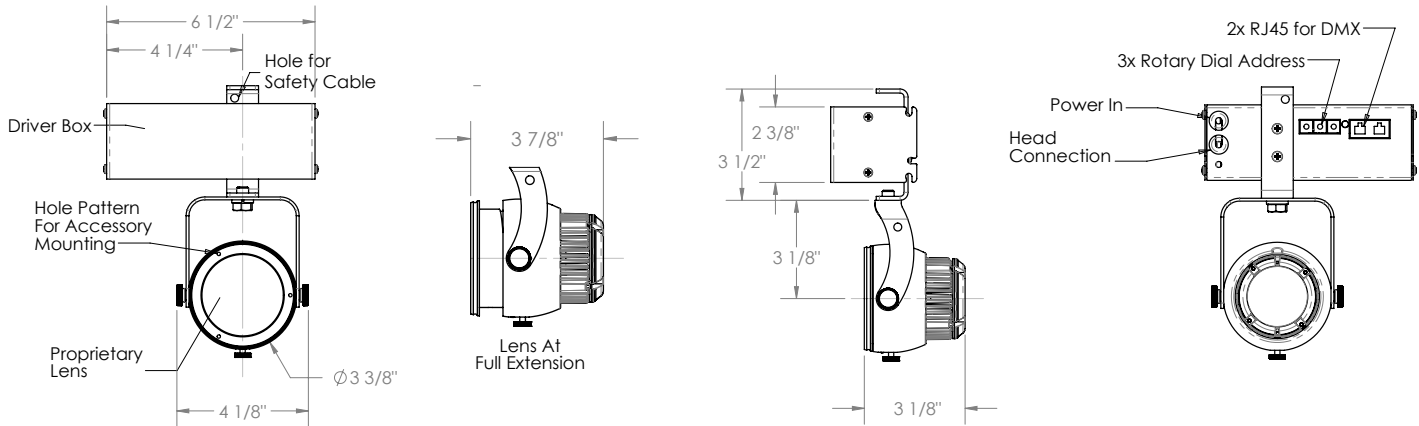
POWER DRAW: MAXIMUM 24-WATTS

DATA CONNECTORS: (2) RJ45 CONNECTORS FOR DMX IN/ THRU

LAB LISTINGS: ETL, CETL, AND CE LISTED

POWER CORD: 6' WITH MOLDED EDISON CONNECTOR

Dimensions



Photometry

NARROW SPOT FOCUS

BEAM ANGLE - 18 DEGREE

FIELD ANGLE - 29 DEGREE

DISTANCE IN FEET	5	10	15	20	25
CENTER PEAK IN FOOTCANDLES	432	108	48	27	17
BEAM DIAMETER IN FEET	2.5'	5'	7.6'	10.1'	12.7'

WIDE FLOOD FOCUS

BEAM ANGLE - 65 DEGREE

FIELD ANGLE - 95 DEGREE

DISTANCE IN FEET	5	10	15	20	25
CENTER PEAK IN FOOTCANDLES	46	12	5	3	2
BEAM DIAMETER IN FEET	8.3'	16.5'	25'	33'	41.5'

TOKYO
 SHANGHAI
 MELBOURNE
 SYDNEY
 LONDON
 BIRMINGHAM
 MAIDSTONE
 HAMBURG
 COLOGNE
 FRANKFURT
 MUNICH
 BERLIN
 DÜSSELDORF
 BRUSSELS
 PARIS
 UTRECHT
 MADRID
 ZURICH
 BUENOS AIRES
 NEW YORK
 NEW JERSEY
 WASHINGTON DC
 TORONTO
 DETROIT
 CHICAGO
 DEKALB
 ATLANTA
 ORLANDO
 NEW ORLEANS
 DALLAS
 DENVER
 LAS VEGAS
 LOS ANGELES

WWW.PRGRHA.COM

WHITE LIGHT BULLET IS A TRADEMARK OF PRODUCTION RESOURCE GROUP, LLC.

©2014 PRODUCTION RESOURCE GROUP, LLC. ALL RIGHTS RESERVED. SPECIFICATIONS ARE SUBJECT TO CHANGE WITHOUT NOTICE.

VERSION: MARCH 2014

Bullet Part Numbers

RHA-WL.BULLET.DMX.1.0	WHITE LIGHT BULLET, - 3,000K LED SPOT/FLOOD W/DMX
RHA-BULLET.CFA	OPTIONAL FRONT ACCESSORY HOLDER AND COLOR FRAME
RHA-4XLR.ADD	OPTIONAL 4-PIN XLR MALE & FEMALE CONNECTORS INSTALLED ON HEAD TO DRIVER CABLE.
RHA-4XLR.*	4 PIN XLR EXTENSION CABLE FOR USE WITH RHA-4XLR.ADD*
RHA-BULLET.PROJ.TH.BK	25°-50° GOBO PROJECTION ACCESSORY (NO SHUTTERS)
RHA-BULLET.BD	FOUR-LEAF BARNDOOR
RHA-UV.BULLET.LSL	LINEAR SPREAD LENS
RHA-.BULLET.SN	SNOOT ACCESSORY
RHA-XLR.RJ45	5-PIN MALE XLR TO RJ45 ADAPTER
RHA-TERM.RJ45 1	120 OHM RJ45 TERMINATOR
RHA-LD.CLAMP-BK	LIGHT DUTY FLAT STEEL CLAMP WITH 5/16" BOLT FOR USE WITH 1/4" TO 1-1/2" PIPE
RHA-MINI.CLAMP	MINI-CLAMP WITH 3/8" BOLT FOR USE WITH 3/8" TO 1-1/2" PIPE
RHA-UV.BULLET.BASE	FLOOR/TABLE MOUNTING BASE

*SPECIFY LENGTH IN FEET. 5, 10, 15 & 20'

NOTE: STANDARD ANSI BINNING FOR WHITE LIGHT LEDS COVERS 7 MACADAM ELLIPSES, WHICH IS LARGE ENOUGH TO CONTAIN COLOR DIFFERENCES. THE WL BULLET LED'S EXCEED THE ANSI STANDARD COVERING ONLY 3 MACADAM ELLIPSES.