

# TECHNICAL BULLETIN



**Product:** Bad Boy® Spot Luminaire  
**Manufacturer:** PRG  
**Subject:** Additional Safety Cable  
**Bulletin No:** BAD-013  
**Date:** 01-11-2012

## INTRODUCTION

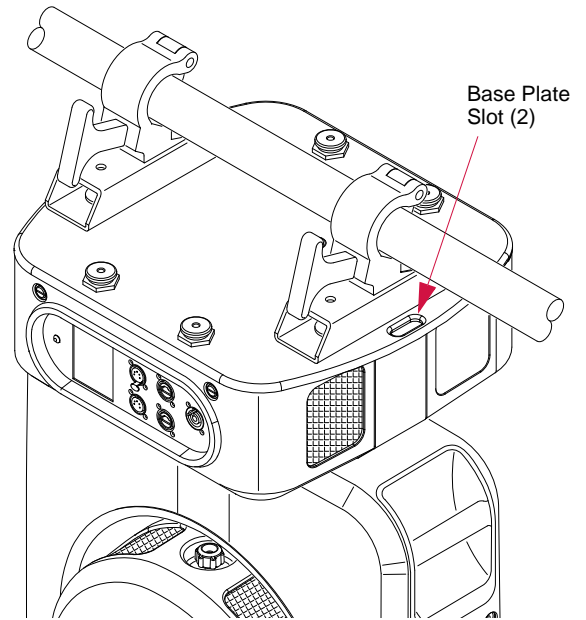
### Bad Boy Luminaire Additional Safety Cable

**⚠ Immediate Action Required!**

It has been determined that some Bad Boy base plates have the possibility for weakness at the two slots where the safety cables are attached. In order to ensure maximum safety, a third safety cable should be added to all Bad Boy luminaire installations. The additional safety cable will be attached using one Low Safety Bracket Assembly (21.9812.0801) which is equipped with an eye nut for attachment of the cable.

A future technical bulletin will provide instructions for replacing the existing base plates, but in the meantime, ALL Bad Boy luminaires should be installed with THREE safety cables according to the instructions in this technical bulletin. In addition, until the base plates can be replaced, a caution label (04.9812.0054) should be added to specify that the luminaire requires three safety cables.

A kit has been created which contains the new Low Safety Bracket, third Safety Cable, and the Fixture Safety Label as listed below. Each luminaire will require one kit.



### Parts

#### 28.9812.1400 KIT, THIRD SAFETY, BAD BOY

12.9812.0614 / 37493-65	1 EA	SECONDARY SAFETY HARDWARE (PAINTED EYE NUT), BAD BOY
21.9812.0801 / 37493-67	1 EA	ASSY, SAFETY BRACKET, LOW
22.9620.0194 / 37493-75	1 EA	ASSY, LAMP SAFETY CABLE
04.9812.0054	1 EA	LABEL, FIXTURE SAFETY

**Note:** The Lamp Safety Cable will not be supplied with kits shipping to European offices. Safety cables will need to be supplied by the local offices.

# PROCEDURES

---

## Installing Safety Cables and Label

### Parts:

21.9812.0801 / 37493-67	1 EA	ASSY, SAFETY BRACKET, LOW
22.9620.0194 / 37493-75	3 EA	ASSY, LAMP SAFETY CABLE
04.9812.0054	1 EA	LABEL, FIXTURE SAFETY

### To install safety cables:

- Step 1. Feed one safety cable through each of two base plate slots and wrap around pipe as many times as required to reduce excess slack (**Figure 1**).
- Step 2. Install Low Safety Bracket (already fitted with Eye Nut) in either open position by placing over buttons and sliding until bracket locks into place. (You will hear a "click" when bracket is locked.)
- Step 3. Attach looped end of third safety cable to eye nut, then wrap around pipe as many times as required to reduce excess slack, and clip to eye nut as shown in **Figure 1**.

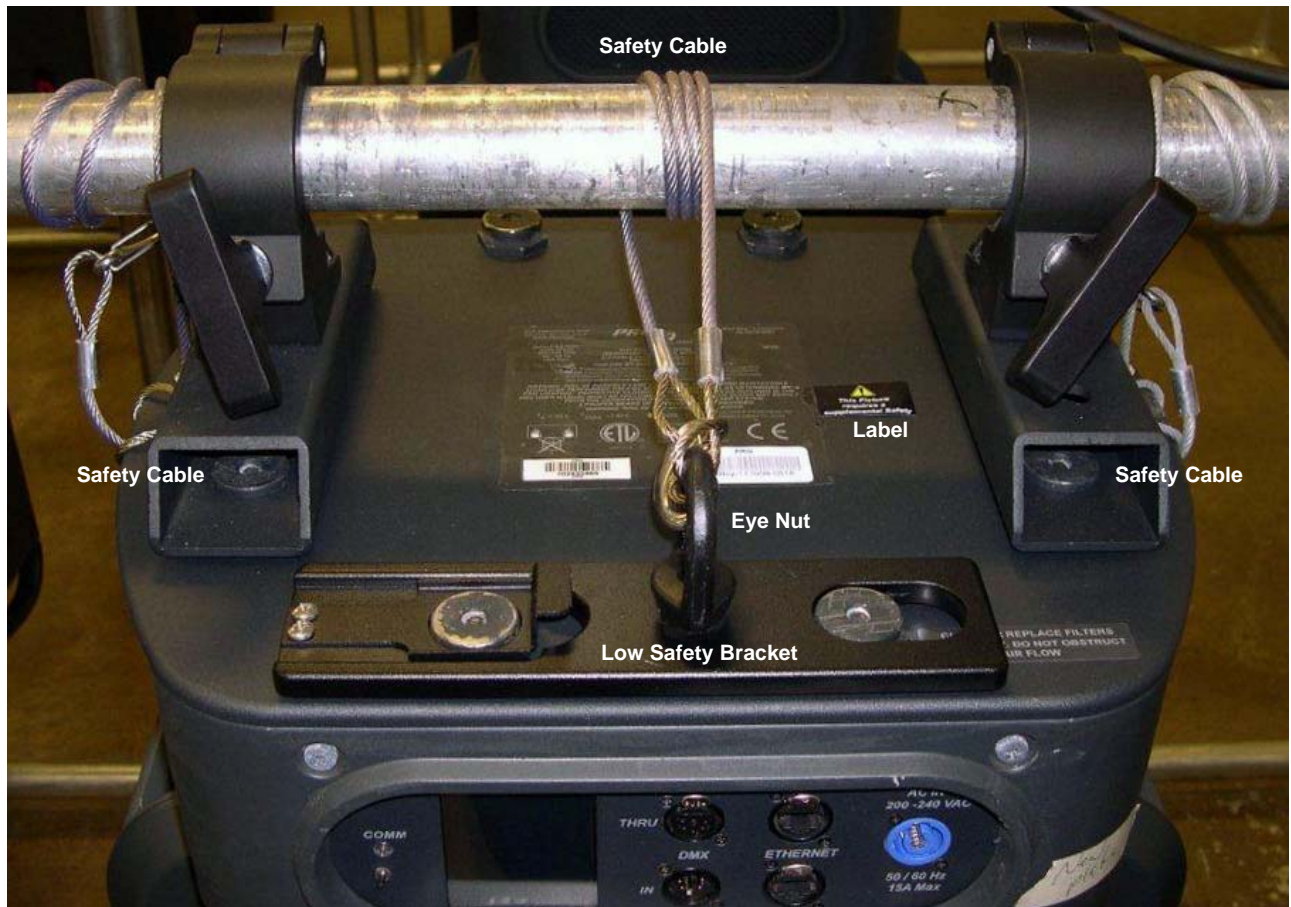


Figure 1: Installing Safety Cables

Step 4. Apply new Fixture Safety Label as shown in **Figure 2**.



**Figure 2: Applying Fixture Safety Label**