

# ReNEW-LD Line Dimmable LED Retrofit Assembly



The PRG RH+A ReNEW-LD is a line dimmable LED Retrofit Assembly designed to work in conjunction with the lens tube and shutter assemblies of the Electronic Theatre Controls (ETC®) Source Four® ellipsoidal. Exchanging the tungsten light source of the Source Four with the LED source of the ReNEW-LD reduces energy consumption and HVAC costs while producing lumen output that exceeds a 575W HPL lamp. The ReNEW-LD draws 196 watts at full power.

The ReNEW-LD is designed around a chip-on-board (COB) LED light source array paired with a specially designed reflector and lens. The lens and reflector combination provide optimal illuminance distribution through the Source Four lens.

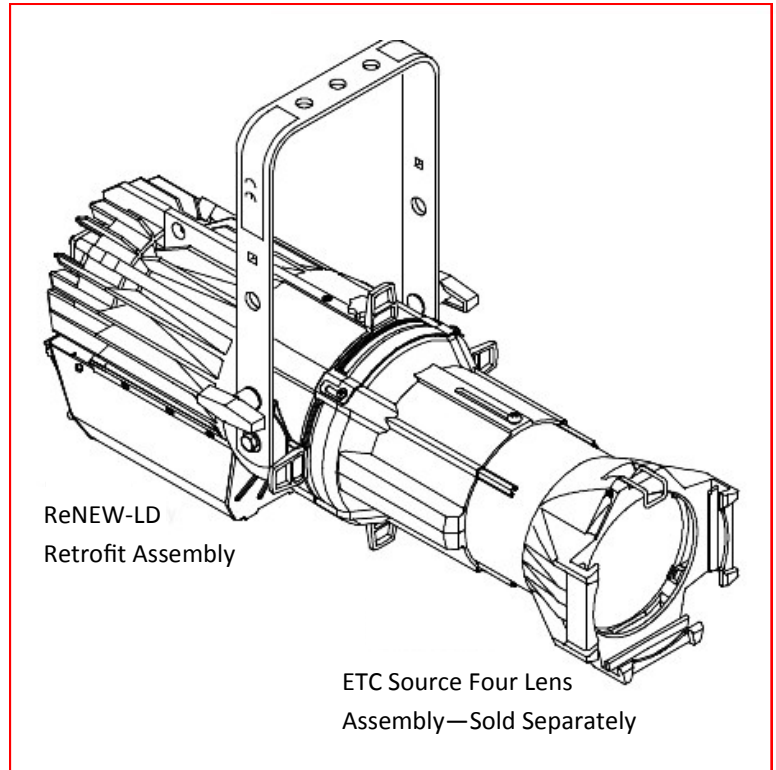
The unit works with all ETC lens tubes - both standard and Enhanced Definition Lens Tubes (EDLT), and all Source Four accessories. The ReNEW-LD is also compatible with PHX lens and shutter assemblies.

The ReNEW-LD offers a choice of two color temperatures: The ReNEW-LD Tungsten, a white light LED with a 3,000K color temperature, and the ReNEW-LD Daylight, a white light LED with a 5,700K color temperature.

The reflector and lamp assembly of the ETC Source Four can be replaced with the ReNEW-LD LED light in less than a minute.

The ReNEW-LD can be operated on most standard theatrical and architectural type dimmers as well as simple manual dimmers. When connected to non-dim power the unit will turn on to full intensity.

The ReNEW-LD Assembly offers dedicated models for use in either 100V, 120V, or 240V operating conditions. The unit is supplied standard with a 6' power cable and choice of listed connector and safety cable.



ReNEW-LD  
Retrofit Assembly

ETC Source Four Lens  
Assembly—Sold Separately

## Features

**Source:** LED Chip-on-Board

**Power Draw at Full:** 196 Watts

**Reflector:** Coated aluminum reflector

**Dimming:** Mains/ Line Dimmable

**Color Temperature:** 3,000K Tungsten or 5,700K Daylight

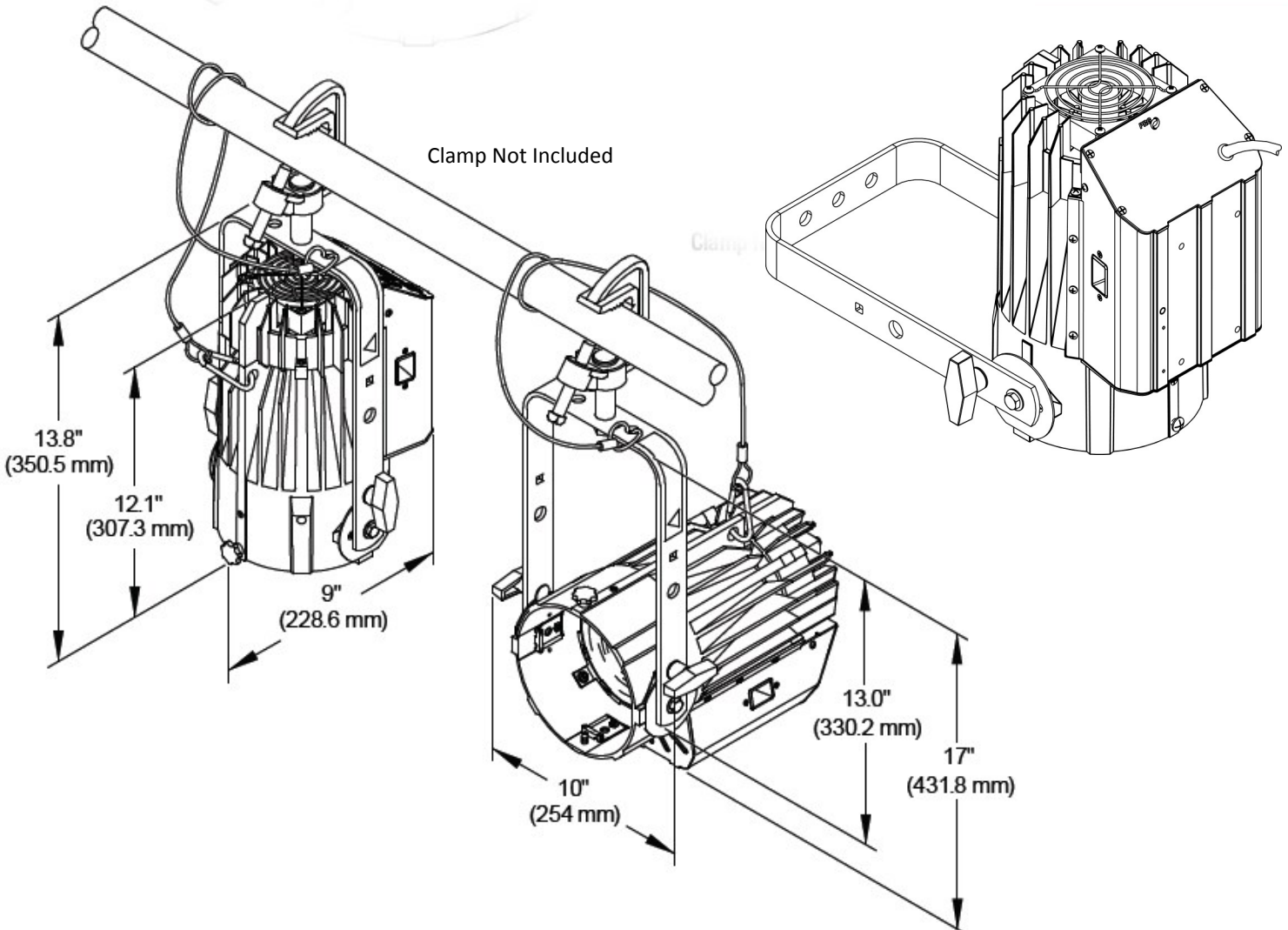
**Power Input:** 100VAC, 120VAC & 240VAC models available

**Power Connections:** Attached 6' Power Cable

**Weight:** 12.5 lbs (5.66 kg)

**Ratings:** ETL & cETL Listed

# ReNEW-LD Line Dimmable LED Retrofit Assembly



## ***ReNEW Tungsten Part Numbers***

RHA-RN.LD.T.BK.120.*	ReNEW-LD, 120VAC LINE DIMMABLE, BLACK, LED 3000K TUNGSTEN 80+ CRI
RHA-RN.LD.T.BK.100.*	ReNEW-LD, 100VAC LINE DIMMABLE, BLACK, LED 3000K TUNGSTEN 80+ CRI
RHA-RN.LD.T.BK.240.*	ReNEW-LD, 240 VAC LINE DIMMABLE, BLACK, LED 3000K TUNGSTEN 80+ CRI

## ***ReNEW Daylight Part Numbers***

RHA-RN.LD.DL.BK.120.*	ReNEW-LD, 120VAC LINE DIMMABLE, BLACK, LED 5700K DAYLIGHT 90+ CRI
RHA-RN.LD.DL.BK.100.*	ReNEW-LD, 100VAC LINE DIMMABLE, BLACK, LED 5700K DAYLIGHT 90+ CRI
RHA-RN.LD.DL.BK.240.*	ReNEW-LD, 240VAC LINE DIMMABLE, BLACK, LED 5700K DAYLIGHT 90+ CRI

\* In place of asterisk **0** = Bare End , **1** = Edison , **2** = Stage Pin, **3** = L5-20 Twist Lock

**Note:** ETC & PHX lens barrels and shutter assemblies sold separately